

1

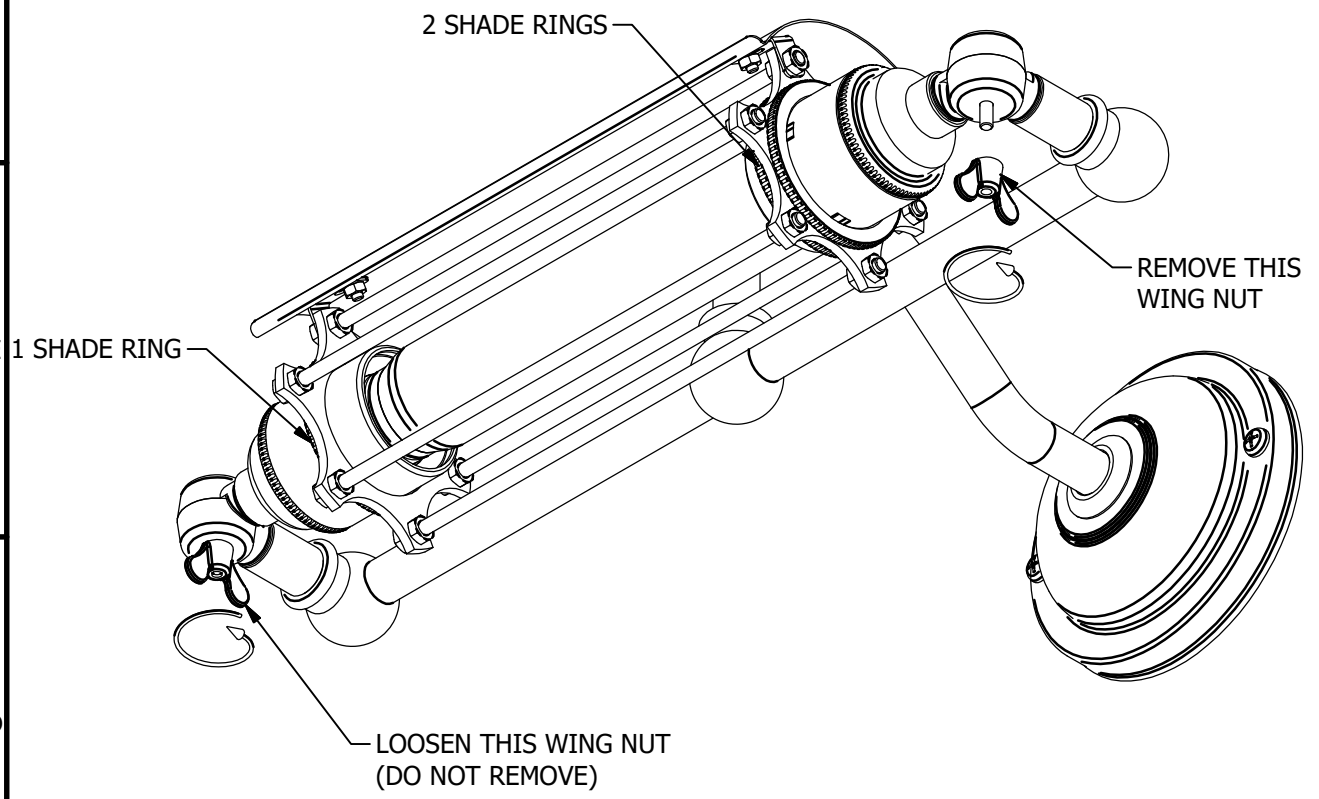


Figure 1.

2

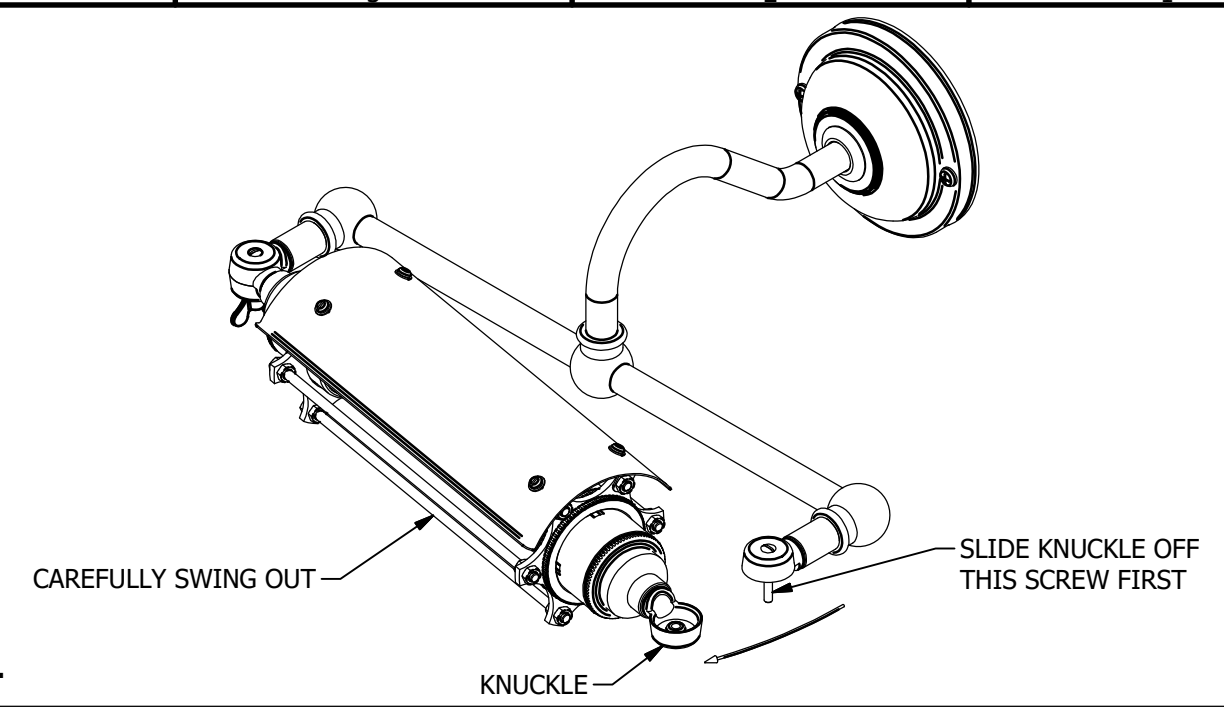


Figure 2.

3

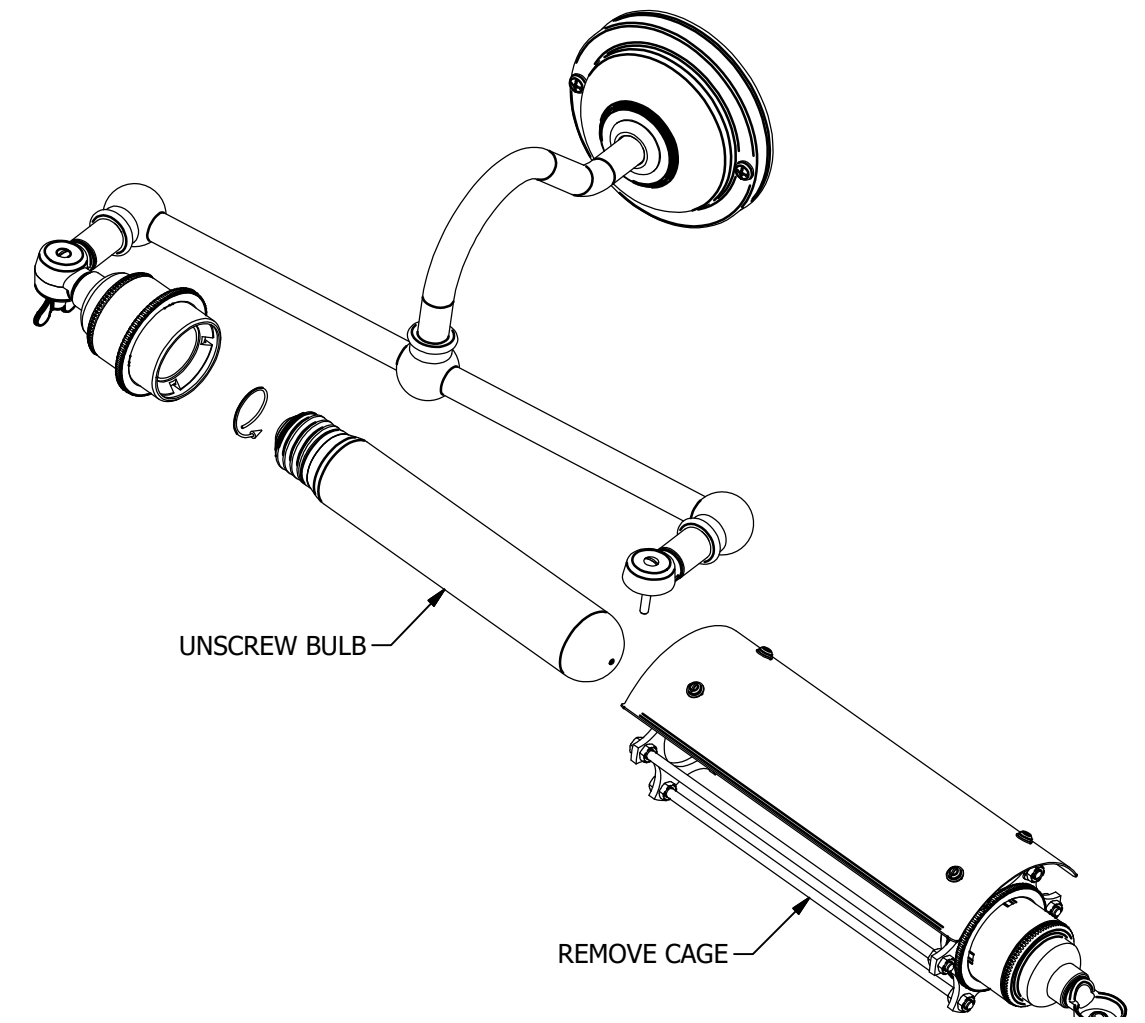


Figure 3.

**BULB REPLACEMENT INSTRUCTIONS:**

- 1) Ensure the light fitting is turned off, and isolated from the power source.
- 2) Take note of the two shade rings at one end of the cage. (Figure 1.)  
The wing nut closest to this end must be removed.  
The remaining wing nut is then only loosened.
- 3) Slide knuckle off wing nut screw then carefully swing out the cage / bulb assembly. (Figure 2.)
- 4) Slide cage assembly over and away from bulb. (Figure 3.)
- 5) Unscrew bulb.
- 6) Fit new bulb and reassemble light fitting.

**SPECIFICATIONS:**

EU, AU, NZ	US, CA
E27 240V 60Watts max.	E26 120V 60Watts max.
Tube Bulb Length: T30 x 185mm.	Tube Bulb Length: T30 1.2" x 7.3".

**Edison Light Globes** globes, flex and fittings

REVISION HISTORY				
REV	DESCRIPTION	DATE	APPROVED	CR
B0	Specifications revised	17/10/2015	DG	
A0	Initial Release	08/09/2013	PG	

USE ONLY FOR JOB NO.	Material	Finish	
	SCALE: DNS	© Edison Light Globes Pty Ltd edisonlightglobes.com	
Designed by	Checked by	Approved by	Date Project
DavidG		PG	8/09/2013
UNCONTROLLED DOCUMENT		Wall Mounted Picture Light Bulb Replacement	
Dimensions in millimetres Limit on untoleranced unmachined dimensions ± 0.2mm No decimal place 1mm 1 decimal place ± 0.3mm 2 decimal places ± 0.1mm General unmachined angular tolerance ±1° Tolerance to be non-cumulative		Revision	Sheet
		B0	1 / 1