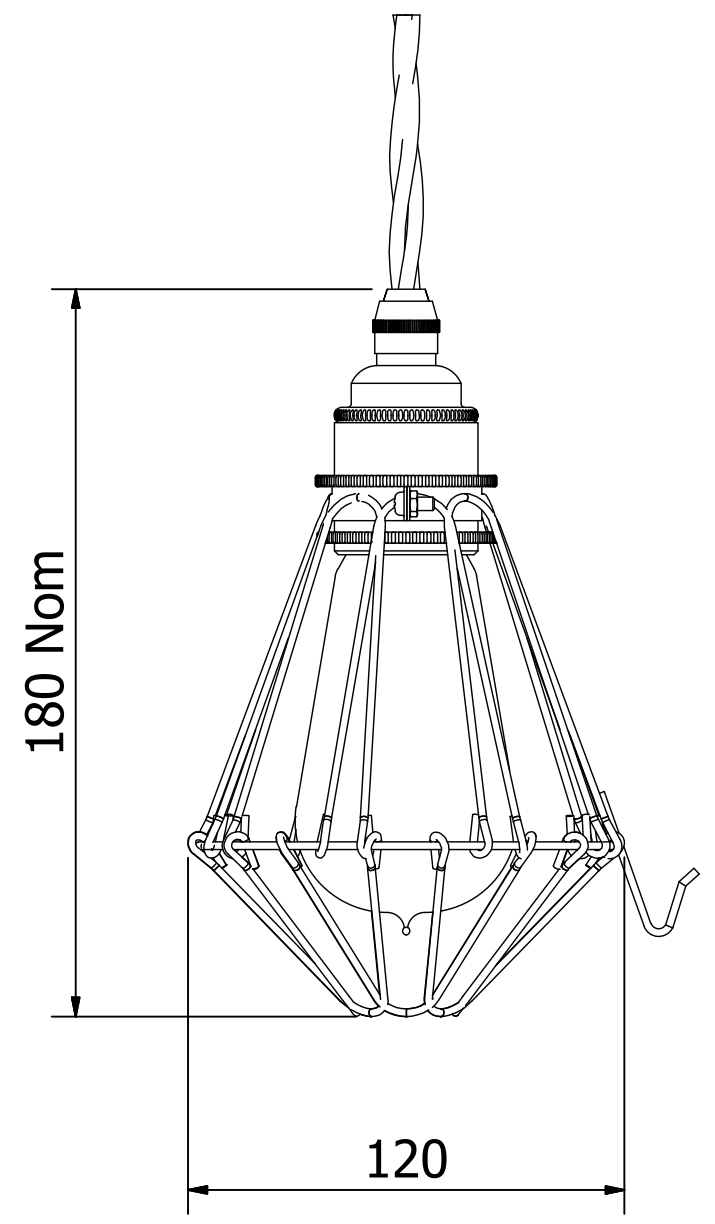
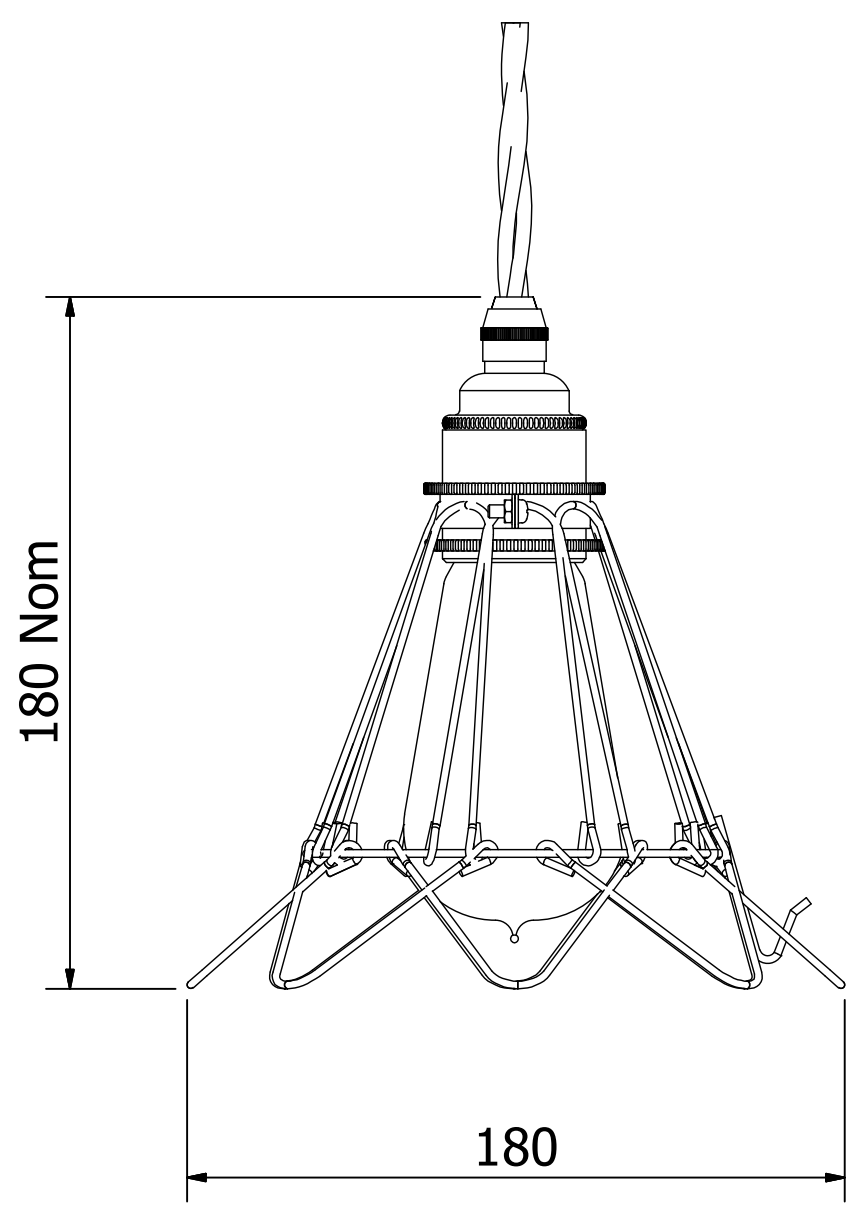


8 7 6 5 4 3 2 1

F  
E  
D  
C  
B  
A



# Edison Style Light Fittings

Reproduction 19th Century Australian 240V Thomas Edison inspired electrical light fittings

REVISION HISTORY				
REV	DESCRIPTION	DATE	APPROVED	CR
A0	Initial Release		PG	

USE ONLY FOR JOB NO.	Material	Finish		
UNCONTROLLED DOCUMENT	SCALE: DNS	© Edison Style Light Fittings edisonlightglobes.com		
	Designed by DavidG	Checked by PG	Approved by	Date 21/04/2012
	Dimensions in millimetres Limit on untoleranced unmachined dimensions ± 0.2mm No decimal place 1mm 1 decimal place ± 0.3mm 2 decimal places ± 0.1mm General unmachined angular tolerance ±1° Tolerance to be non-cumulative		Date Project Date 21/04/2012	
		5 Inch Cage Light Bulb Brass Cage Fitting 5.25 Inch		
		Revision	Sheet 1 / 1	

8 7 6 5 4 3 2 1