

1

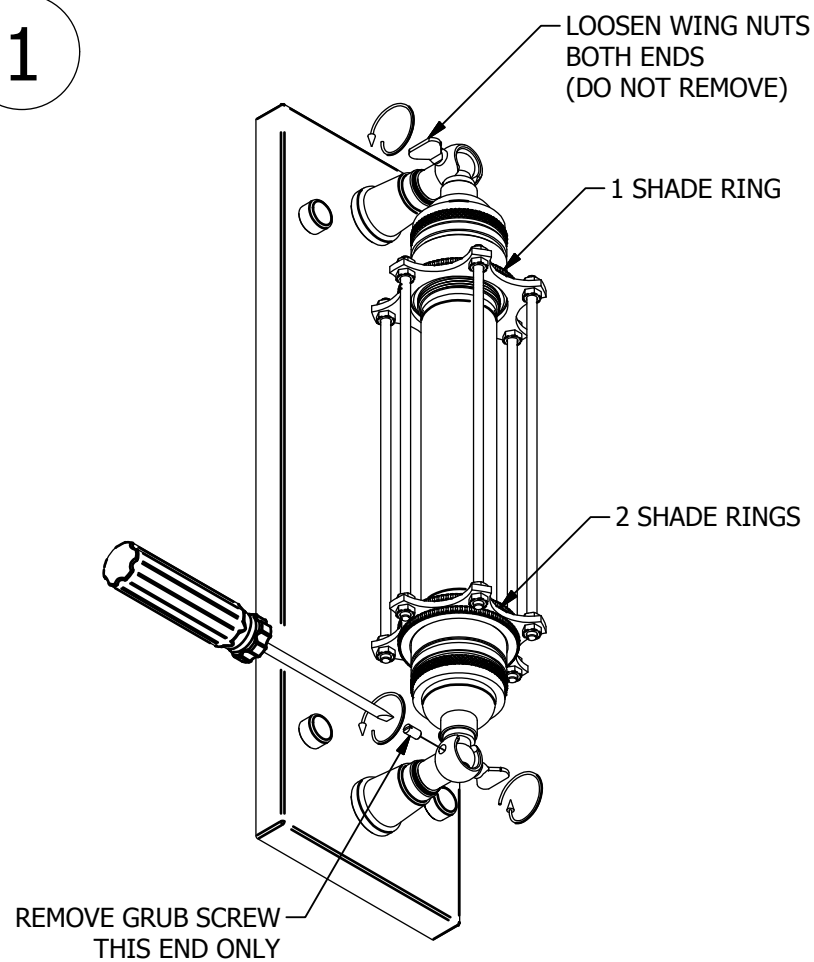


Figure 1.

2

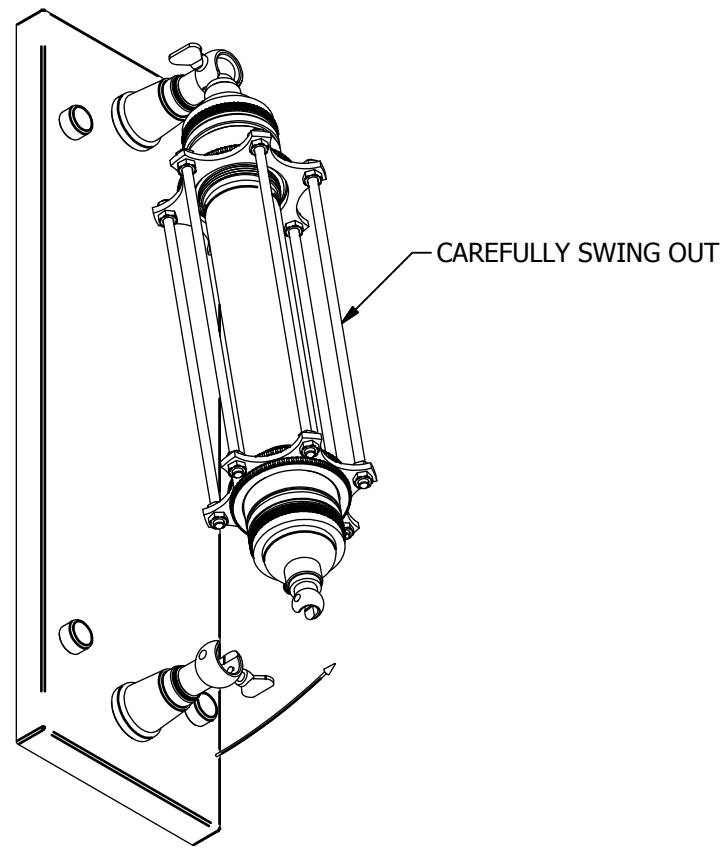


Figure 2.

3

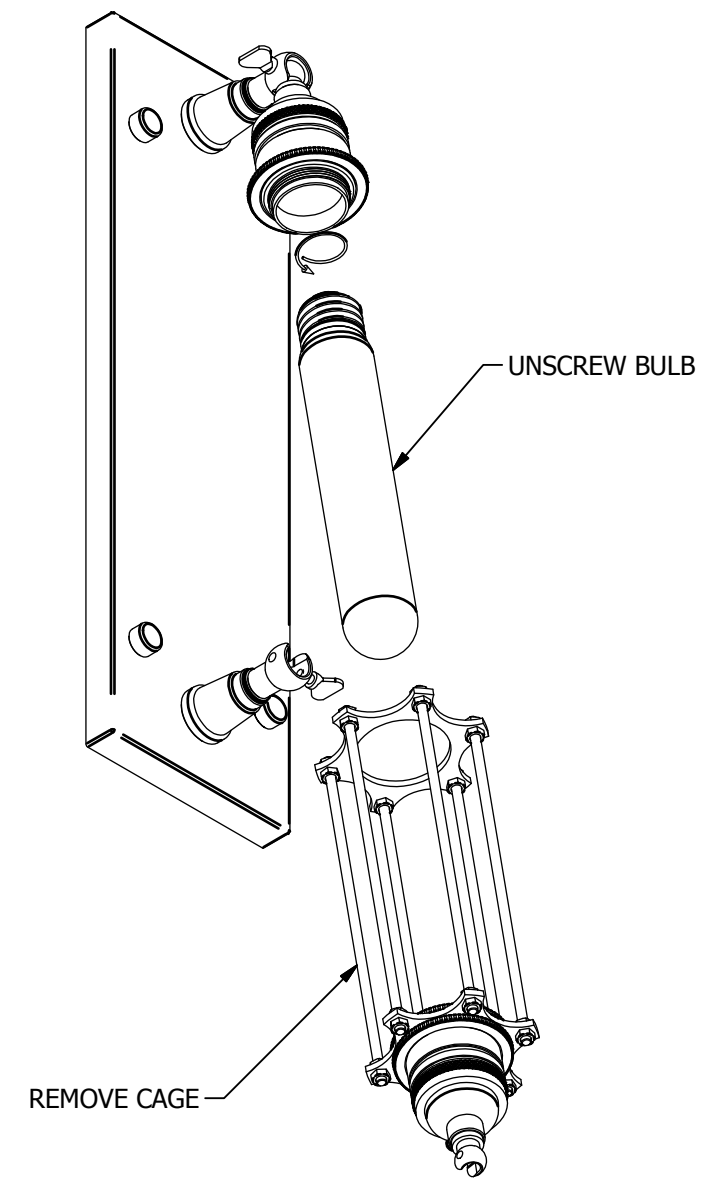


Figure 3.

**BULB REPLACEMENT INSTRUCTIONS:**

- 1) Ensure the light fitting is turned off, or isolated from the power source.
- 2) Loosen both wing nuts on either end of the fitting.  
Note, there is no need to completely remove the wing nuts. (Figure 1.)
- 3) Using a small screwdriver, remove (only) the grub screw next to the end of the cage with the two shade rings fitted. (Figure 1.)
- 4) Carefully swing out the cage / bulb assembly. (Figure 2.)
- 5) Slide cage assembly over and away from bulb. (Figure 3.)
- 6) Unscrew bulb.
- 7) Fit new bulb and reassemble light fitting.

**SPECIFICATIONS:**

Solid Brass UL Listed components.  
E26 120V 60Watts max.  
Earth connection at wall mount.  
Tube bulb length 186mm.

**Edison Light Globes** globes, flex and fittings

REVISION HISTORY

REV	DESCRIPTION	DATE	APPROVED	CR
A0	Initial Release		PG	

USE ONLY FOR JOB NO.		Material		Finish	
		SCALE: DNS		© Edison Light Globes Pty Ltd edisonlightglobes.com	
UNCONTROLLED DOCUMENT		Designed by DavidG	Checked by	Approved by PG	Date 14/09/2013
		<small>Dimensions in millimetres Limit on untoleranced unmachined dimensions ± 0.2mm No decimal place 1mm 1 decimal place ± 0.3mm 2 decimal places ± 0.1mm General unmachined angular tolerance ±1° Tolerance to be non-cumulative</small>		E26 Cage Wall Light Bulb Replacement	
				Revision	Sheet 1 / 1