

Figure 1.

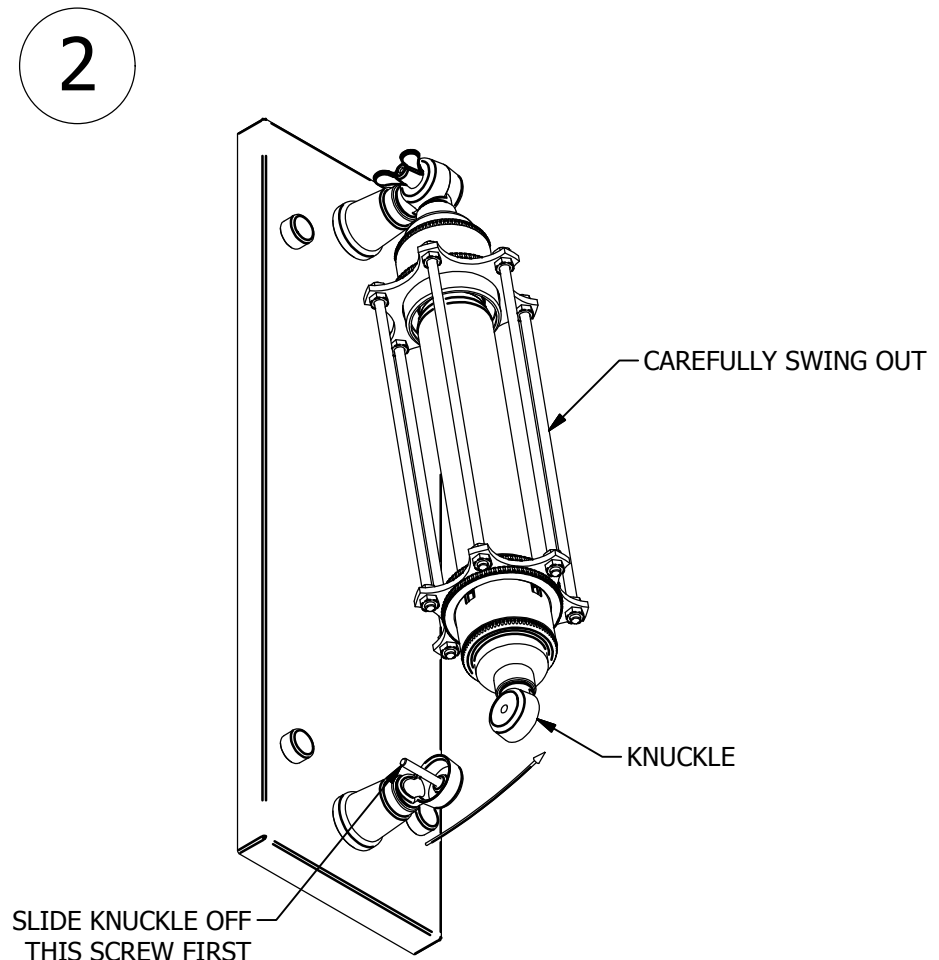


Figure 2.

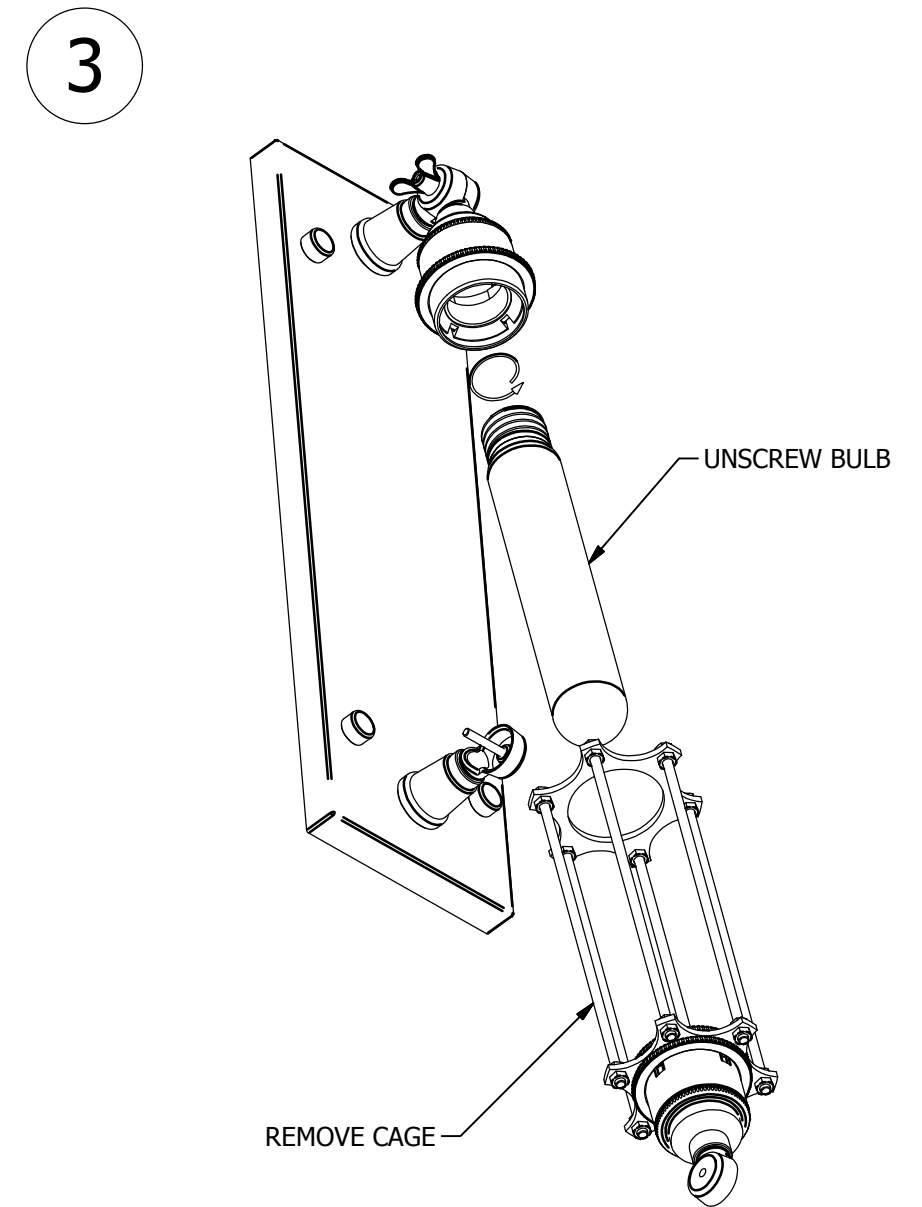


Figure 3.

BULB REPLACEMENT INSTRUCTIONS:

- 1) Ensure the light fitting is turned off, and isolated from the power source.
- 2) Take note of the two shade rings at one end of the cage. (Figure 1.)
The wing nut closest to this end must be removed.
The remaining wing nut is then only loosened.
- 3) Slide knuckle off wing nut screw then carefully swing out the cage / bulb assembly. (Figure 2.)
- 4) Slide cage assembly over and away from bulb. (Figure 3.)
- 5) Unscrew bulb.
- 6) Fit new bulb and reassemble light fitting.

SPECIFICATIONS:

Solid Brass CE components.
E27 240V 60Watts max.
Earth connection at wall mount.
Tube bulb length 186mm.

REVISION HISTORY

REV	DESCRIPTION	DATE	APPROVED	CR
A0	Initial Release		PG	

USE ONLY FOR JOB NO.		Material		Finish	
		SCALE: DNS		© Edison Light Globes Pty Ltd edisonlightglobes.com	
UNCONTROLLED DOCUMENT		Designed by DavidG	Checked by	Approved by PG	Date 14/09/2013
		Dimensions in millimetres Limit on untoleranced unmachined dimensions ± 0.2mm No decimal place 1mm 1 decimal place ± 0.3mm 2 decimal places ± 0.1mm General unmachined angular tolerance ± 1° Tolerance to be non-cumulative		E27 Cage Wall Light Bulb Replacement	
				Revision	Sheet 1 / 1