

1

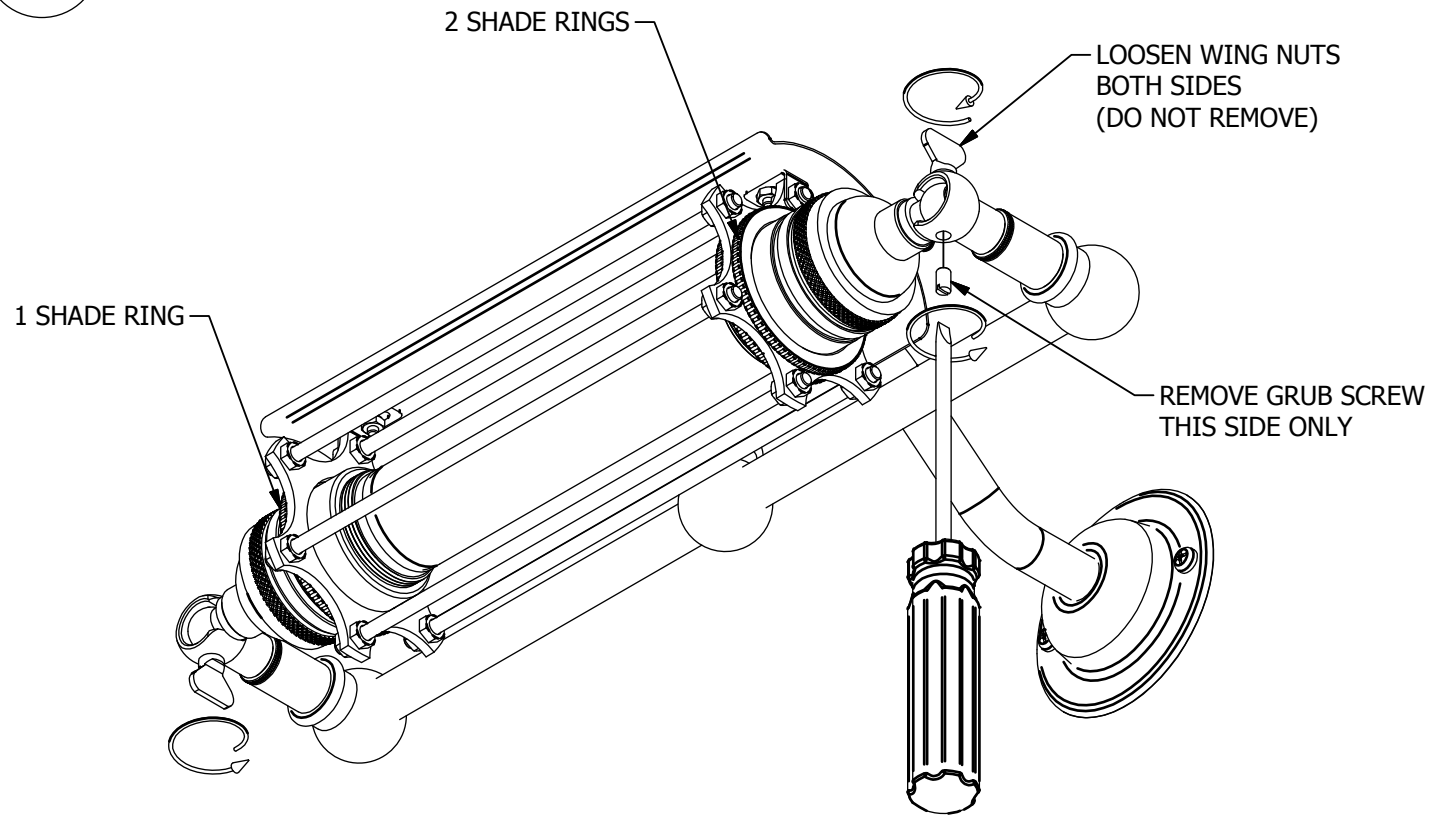


Figure 1.

2

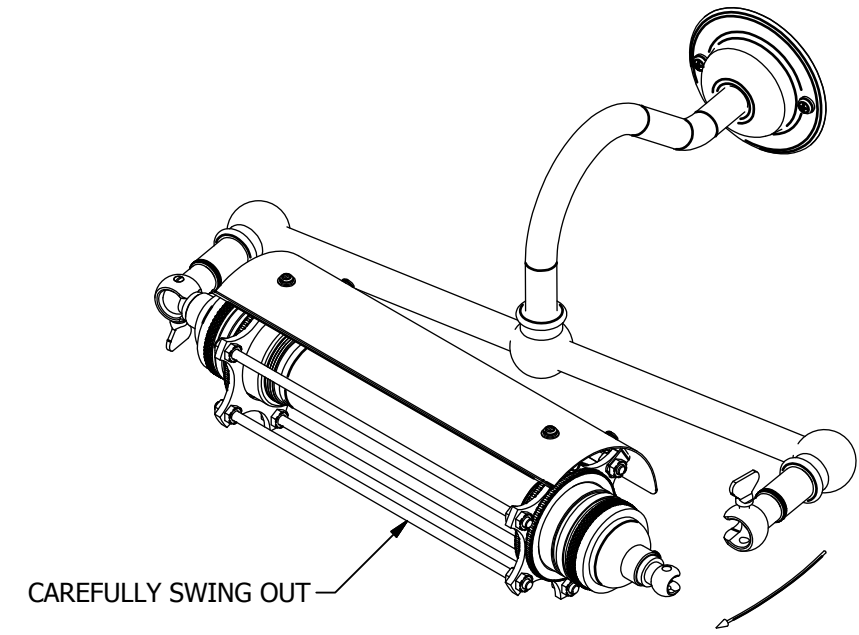


Figure 2.

3

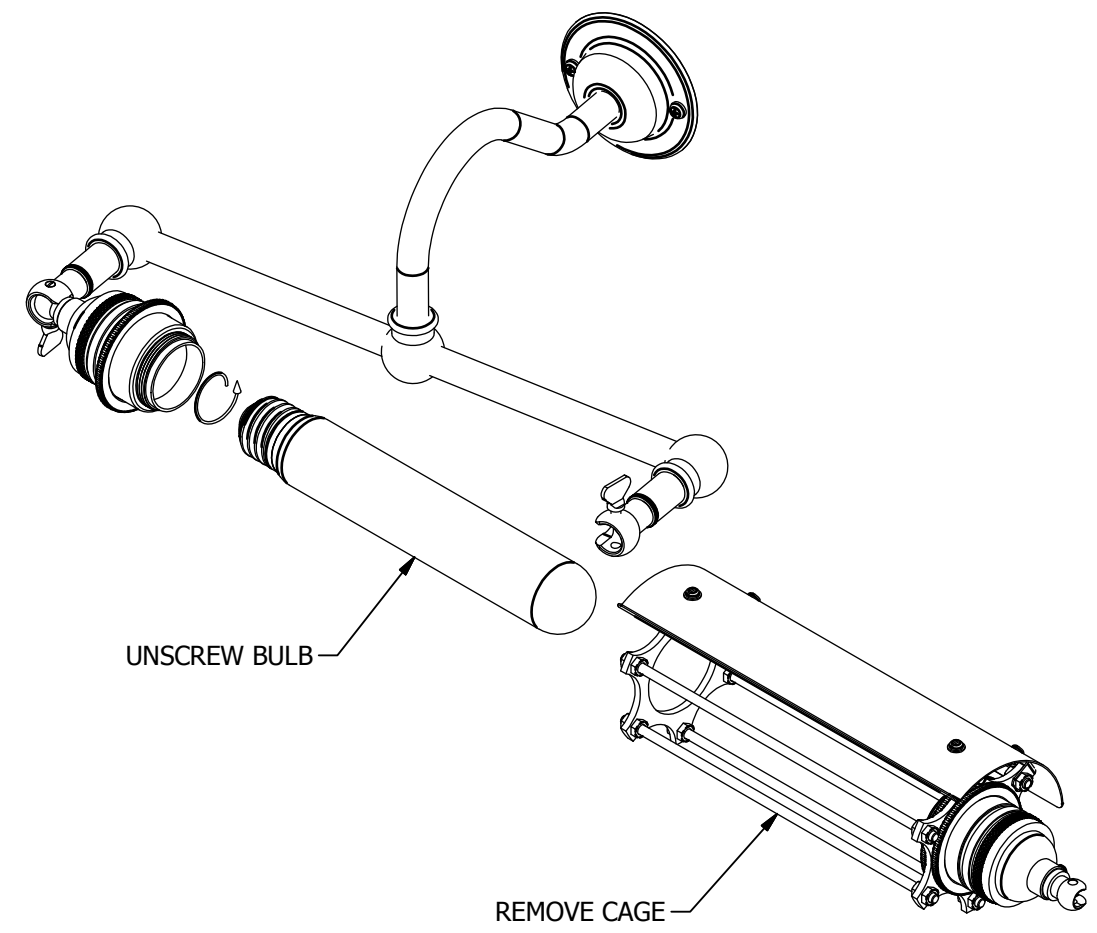


Figure 3.

Edison Light Globes globes, flex and fittings

BULB REPLACEMENT INSTRUCTIONS:

- 1) Ensure the light fitting is turned off, or isolated from the power source.
- 2) Loosen both wing nuts on either side of the fitting.
Note, there is no need to completely remove the wing nuts. (Figure 1.)
- 3) Using a small screwdriver, remove (only) the grub screw next to the side of the cage with the two shade rings fitted. (Figure 1.)
- 4) Carefully swing out the cage / bulb assembly. (Figure 2.)
- 5) Slide cage assembly over and away from bulb. (Figure 3.)
- 6) Unscrew bulb.
- 7) Fit new bulb and reassemble light fitting.

SPECIFICATIONS:

Solid Brass UL Listed components.
E26 120V 60Watts max.
Earth connection at wall mount.
Tube bulb length 186mm.

REVISION HISTORY				
REV	DESCRIPTION	DATE	APPROVED	CR
A0	Initial Release	08/09/2013	PG	

USE ONLY FOR JOB NO.	Material	Finish		
	SCALE: DNS	© Edison Light Globes Pty Ltd edisonlightglobes.com		
UNCONTROLLED DOCUMENT	Designed by DavidG	Checked by	Approved by PG	Date 8/09/2013
	Dimensions in millimetres Limit on untoleranced unmachined dimensions ± 0.2mm No decimal place 1mm 1 decimal place ± 0.3mm 2 decimal places ± 0.1mm General unmachined angular tolerance ±1° Tolerance to be non-cumulative			Date 8/09/2013
E26 Picture Light Bulb Replacement			Revision	Sheet 1 / 1