

Figure 1.

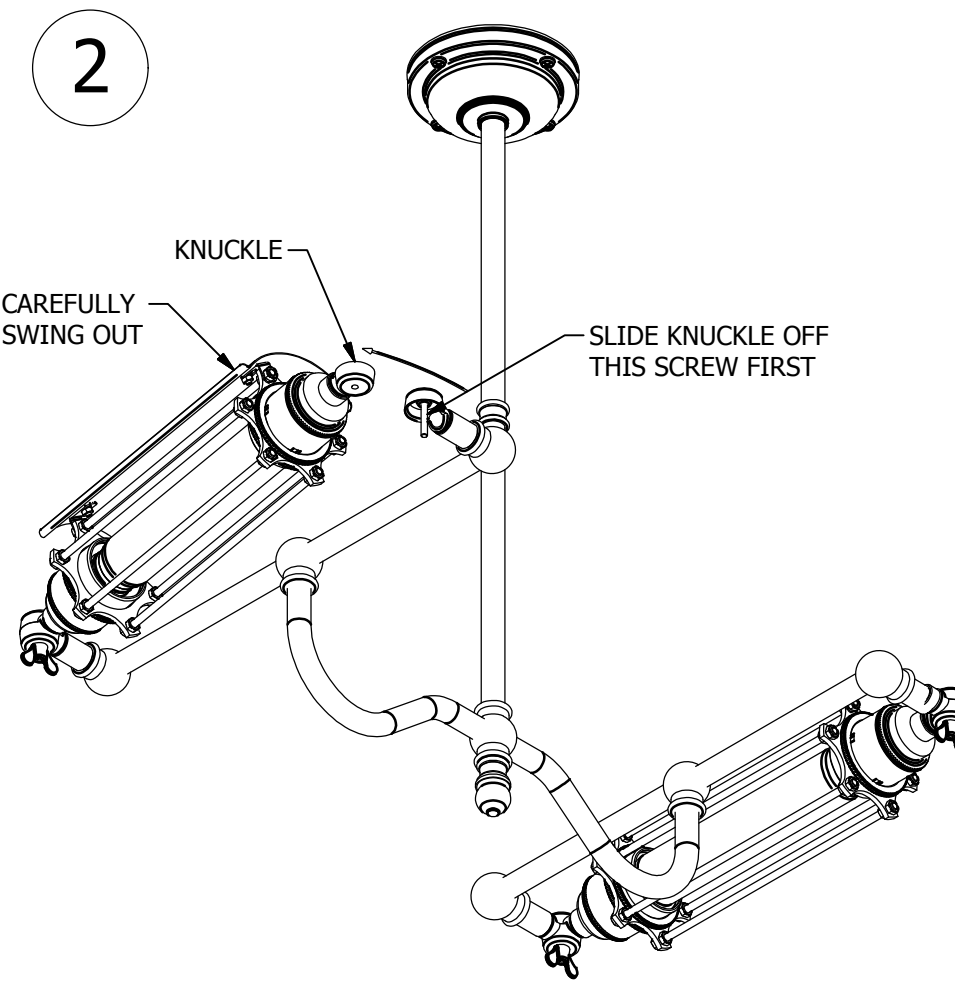


Figure 2.

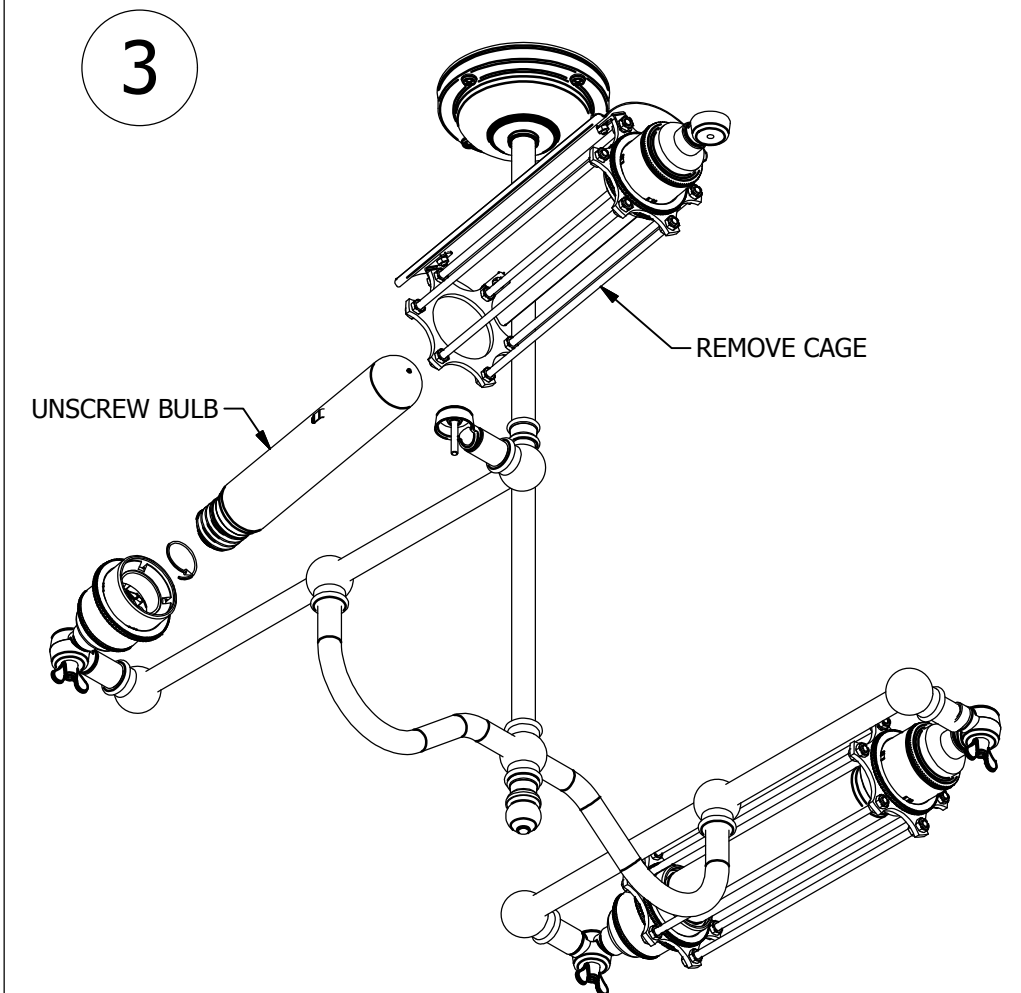


Figure 3.

BULB REPLACEMENT INSTRUCTIONS:

- 1) Ensure the light fitting is turned off, and isolated from the power source.
- 2) Take note of the two shade rings at one end of the cage. (Figure 1.)
The wing nut closest to this end must be removed.
The remaining wing nut is then only loosened.
- 3) Slide knuckle off wing nut screw then carefully swing out the cage / bulb assembly. (Figure 2.)
- 4) Slide cage assembly over and away from bulb. (Figure 3.)
- 5) Unscrew bulb.
- 6) Fit new bulb and reassemble light fitting.

SPECIFICATIONS:

EU, AU, NZ
E27 240V 60Watts max.
Tube Bulb Length: T30 x 185mm.

US, CA
E26 120V 60Watts max.
Tube Bulb Length: T30 1.2" x 7.3".

Edison Light Globes globes, flex and fittings



REVISION HISTORY

REV	DESCRIPTION	DATE	APPROVED	CR
B0	Specifications revised	17/10/2015	DG	
A0	Initial Release	14/09/2013	PG	

USE ONLY FOR JOB NO.		Material		Finish	
		SCALE: DNS		© Edison Light Globes Pty Ltd edisonlightglobes.com	
UNCONTROLLED DOCUMENT		Designed by DavidG	Checked by	Approved by PG	Date 14/09/2013
		<small>Dimensions in millimetres Limit on untoleranced unmachined dimensions ± 0.2mm No decimal place 1mm 1 decimal place ± 0.3mm 2 decimal places ± 0.1mm General unmachined angular tolerance ±1° Tolerance to be non-cumulative</small>		Train Carriage Light Bulb Replacement	
				Revision B0	Sheet 1 / 1