

Length in metres DIM A (Note 3)

Low voltage driver  
approx 1.3M  
(Note 1)

Optional tail cable  
(Note 2)

Lamp Holder Interval  
25cm - 50cm - 90cm

Low Voltage 24V

LED Bulbs (Note 4)

**NOTES:**

1) Mains (240VAC) lead and driver must be protected as per any mains connected device against pinching of the lead, pulling stresses etc, and must be supervised by a responsible person at all times. Refer to the wattage specification sticker for the correct bulb replacement. Do not exceed the maximum wattage rating of the driver.

2) Use a low voltage tail (up to 6 metres) to safely increase the distance from the power source to the first lamp. This is recommended rather than using a mains connected extension lead to the driver.

3) Low voltage festoon cable with E27 lampholders and IP44 ingress protection. Maximum wattages:  
Lampholders 2.5W maximum each.  
Any single continuous run 12A maximum. (Watts divided by voltage)  
Refer sheet 2 for a complete list of cable lengths.

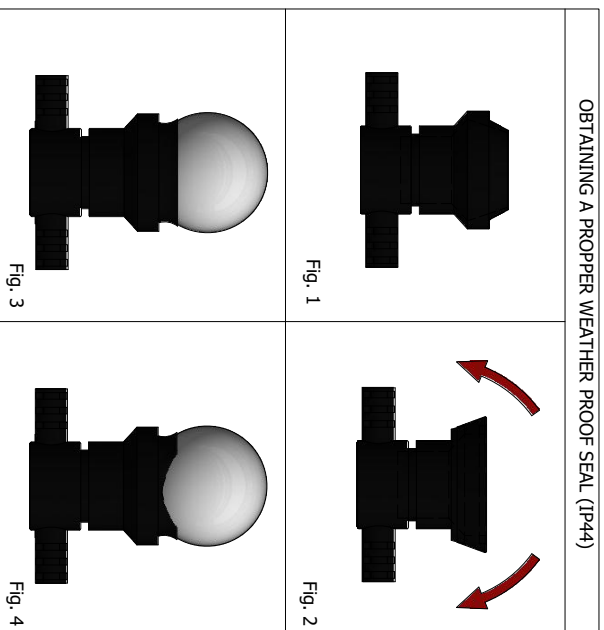
4) Low voltage (24V) LED bulbs, polycarbonate shell with 94-V0 flame rating. Refer to sheet 2 for correct installation and how to obtain a weather proof seal (IP44). Replace bulbs only with the same voltage and wattage as fitted. Refer sheet 3 for bulb wattage and recommended driver selection.

**Edison Light Globes**



To download the full document go to [edisonlightglobes.com](http://edisonlightglobes.com) festoon lighting page.

REV	DESCRIPTION	DATE	APPROVED	CR	USE ONLY FOR JOB NO.	Material	Finish
B0	Documentation updates	10/09/2019	DG			SCALE: DNS	
A0	Initial Release	11/02/2019	PG			Designed by DAVIDG	Checked by PG
						Approved by PG	Date   Project 11-Feb-19
						Dimensions in millimetres Unit on unlabelled unmachined dimensions ± 0.2mm No decimal place 1mm 2 decimal place ± 0.1mm General unlabelled angular tolerance ±1° Tolerance to be non-cumulative	© Edison Light Globes Pty Ltd <a href="http://edisonlightglobes.com">edisonlightglobes.com</a>
						Low Voltage Dimmable Festoon Kit Dimensions And Details	Revision B0
							Sheet 1 / 4



- OBTAINING A PROPER WEATHER PROOF SEAL (IP44):**
- 1) Ensure the gasket is present and sitting correctly around the lampholder. (Fig.1)
  - 2) Fold gasket lip down completely. (Fig.2)
  - 3) Insert bulb and fold gasket back up onto the bulb neck. (Fig.3)
  - 4) A proper seal cannot be obtained if the gasket is creased under. (Fig.4)

To download the full document go to [edisonlightglobes.com](http://edisonlightglobes.com) festoon lighting page.

**Edison Light Globes**  
*globes, flex and fittings*

USE ONLY FOR JOB NO.		Material		Finish	
SCALE: DNS		© Edison Light Globes Pty Ltd edisonlightglobes.com			
UNCONTROLLED DOCUMENT	Designed by DavidG	Checked by PG	Approved by PG	Date   Project 11-Feb-19	Date 11-Feb-19
Dimensions in millimetres Limit on untoleranced unmachined dimensions ± 0.2mm No decimal places 1mm 2 decimal places ± 0.1mm General unmachined angular tolerance ±1° Tolerance to be non-cumulative			Low Voltage Dimmable Festoon Kit Dimensions And Details		
			Revision B0	Sheet 2 / 4	

CABLE SPECIFICATION: H05RNH2-F 2 x 1.5mm<sup>2</sup>  
 DIMENSIONS: RECTANGULAR 13.5 x 5.5mm

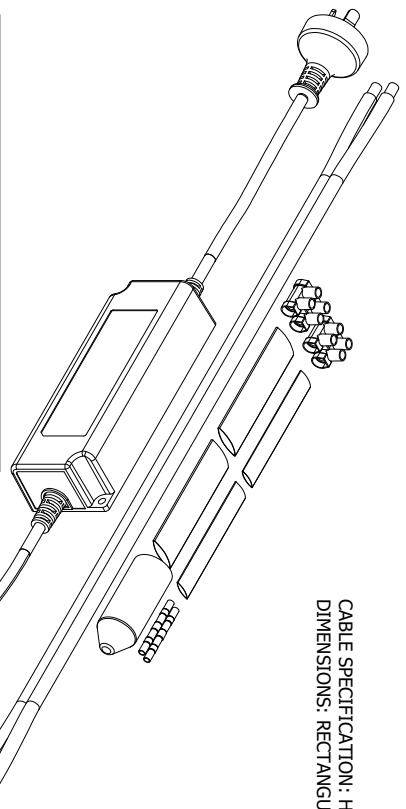


Fig. 1

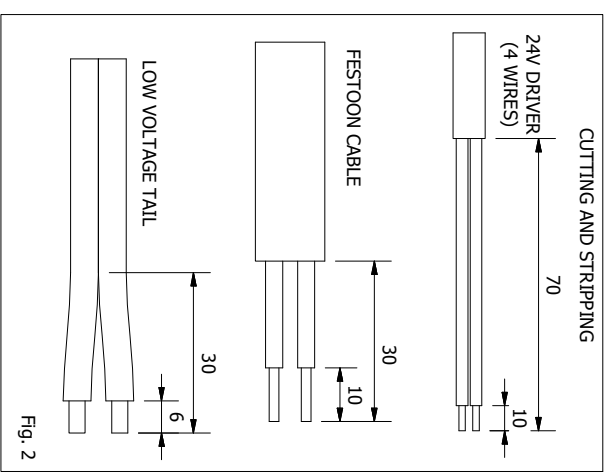


Fig. 2

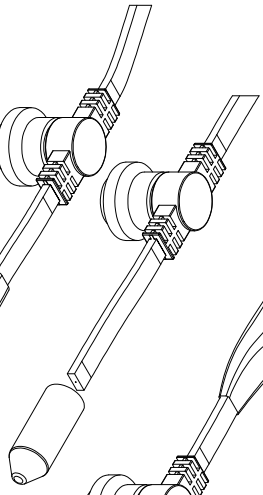


Fig. 3a

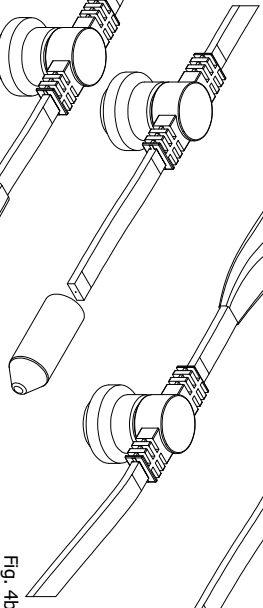


Fig. 3b

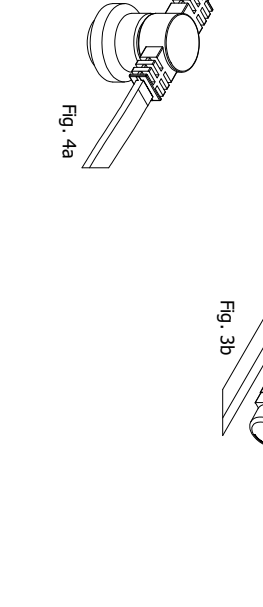


Fig. 3c

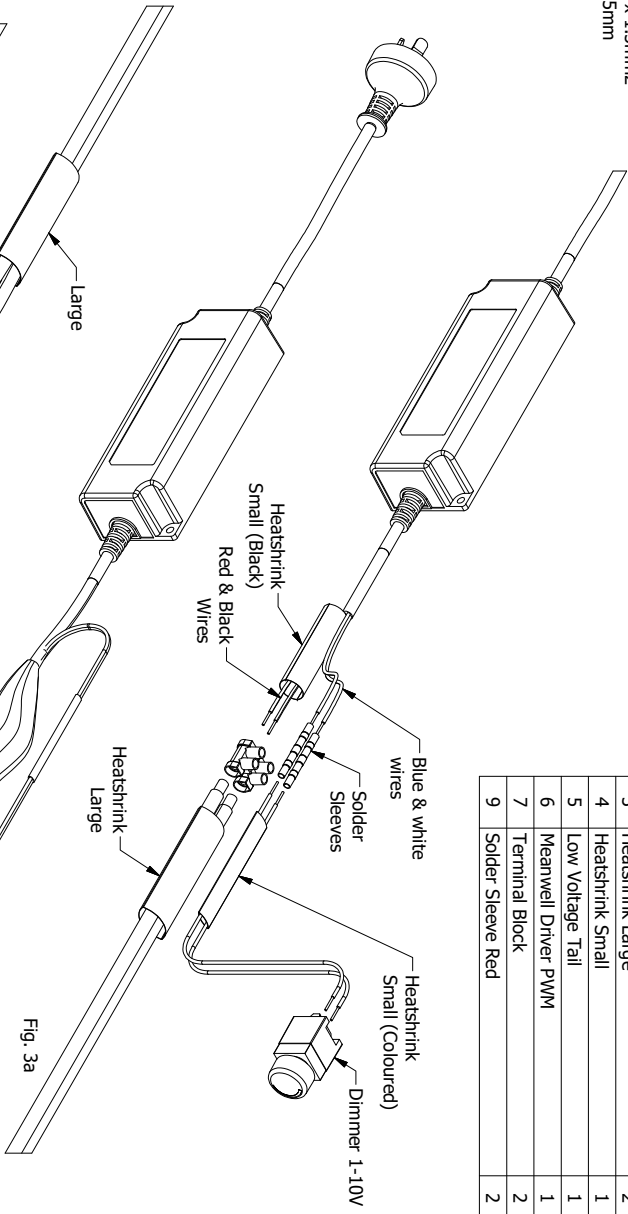


Fig. 3d

**CONNECTION INSTRUCTIONS:**  
 Assembling the cables correctly will give a trouble free, long life to your festoon kit. Proper installation of the glue lined heatshrink will prevent the ingress of moisture, and therefore corrosion, migrating through the wires.  
 The heatshrink also eliminates fatigue of the wire-to-terminal block connections when the cables are subjected to movement.

- Please follow these instructions:
- 1) Check the list of components. (Fig.1)
  - 2) Cut and strip wires. (Fig. 2)
  - 3) Place heatshrink over cables. (Fig. 3a, Fig. 4a) (Note festoon cable does not require small heatshrink)
  - 4) Fold over small stripped wires in half.
  - 5) Connect wires to terminal blocks. (Fig. 6)

Driver to Tail (Fig. 3a)

Tail to festoon (Fig. 4a)

- 6) Connect Dimmer wires to white/ / blue wires via solder sleeves. (Fig. 3a)
- 7) Test the connections by inserting a bulb and supplying power to the driver. Check dimming function.
- 8) With a heat gun or torch, shrink large heatshrink, centered on terminal block. (Fig. 3b, Fig 4b)
- 9) Slip over small heatshrink and shrink on. (Fig. 3b, Fig 4b)
- 10) Shrink end cap over bare end of the festoon. (Fig. 5)

To download the full document go to [edisonlightglobes.com/feastoon/lighting](http://edisonlightglobes.com/feastoon/lighting) page.

PARTS LIST		
ITEM	PART NUMBER	QTY
1	Heatshrink Glue Lined (Coloured)	1
2	Heatshrink End Cap	1
3	Heatshrink Large	2
4	Heatshrink Small	1
5	Low Voltage Tail	1
6	Meanwell Driver PWM	1
7	Terminal Block	2
9	Solder Sleeve Red	2

**Edison Light Globes**  
 globes, flex and fittings

USE ONLY FORK JOB NO.		Material		Finish	
SCALE: DNS		Designed by		© Edison Light Globes Pty Ltd	
UNCONTROLLED DOCUMENT		Checked by		edisonlightglobes.com	
DAVIDG		Approved by		Date	
Dimensions in millimetres Limit on untoleranced unmachined dimensions ± 0.2mm No decimal place 3mm 2 decimal place ± 0.1mm General unmachined angular tolerance ±1° Tolerance to be non-cumulative		PG		11-Feb-19	
Low Voltage Dimmable Festoon Kit Dimensions And Details		Date		Revision	
		Project		B0	
		Date		Sheet	
		11-Feb-19		3 / 4	

Driver output:  
 LED Power: Constant Voltage 24V Red +ve, Black -ve  
 Dimming: Blue +ve White -ve  
 Driver Mounting: Externally mounted.

**DIMMING:**

There are three available modes of dimming. The driver will automatically detect the mode used.  
 1. 0-10VDC Potentiometer/dimmer control. - (Suggested SDF30 from ADM Instrument Engineering)  
 2. 10V PWM signal - frequency range 100Hz ~ 3KHz (Suggested DAP-04-S01DM from Meanwell)  
 3. Resistive - 100K Potentiometer. (Only suitable for dimming a single light fitting/driver.)  
 Please refer to the provided LED Driver data sheet for more information.

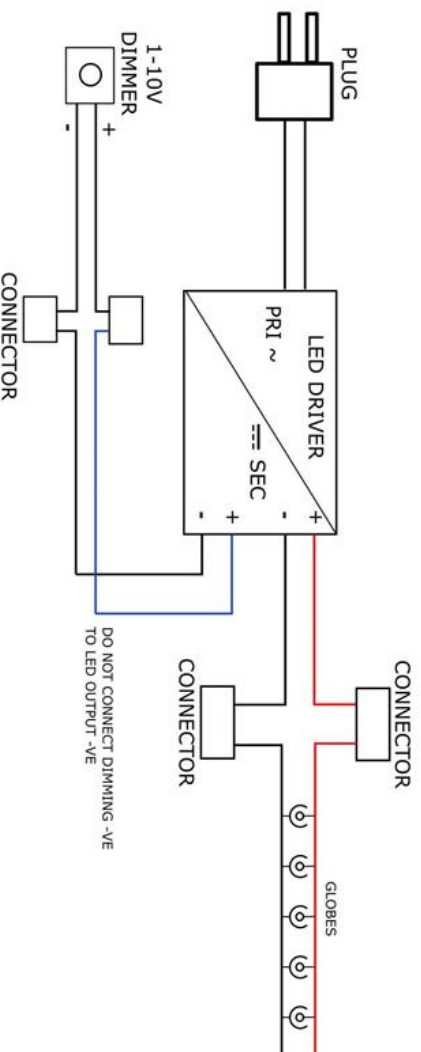
If no dimmer is fitted the LEDs will display at full brightness.

**DALI:**

DALI control is possible with the addition of a DALI to PWM Converter.  
 We recommend the Meanwell DAP-04-S01DM  
 In addition, the DAP-04-S01DM module can accommodate a single momentary push button to control dimming and mains side on-off functions.  
 Up to 20 light fittings can be controlled from one push button.

**NOTE:** It is always recommended to switch the light off from the source, rather than leaving the dimmer turned all the way down.  
 Please consult with your electrician for more information.

All required lighting components come with either SAA, RCM for Australia and New Zealand, CE for Europe or UL listing for the US and Canada.



# Edison Light Globes



globes, flex and fittings

USE ONLY FOR JOB NO.		Material		Finish	
SCALE: DNS		Designed by		© Edison Light Globes Pty Ltd edisonlightglobes.com	
UNCONTROLLED DOCUMENT		Checked by		Date	
DAVIDG		PG		11-Feb-19	
Dimensions in millimetres Unit on untoleranced unmachined dimensions ± 0.2mm No decimal places ± 0.1mm 2 decimal places ± 0.05mm General unmachined angular tolerance ±1° Tolerance to be non-cumulative		Approved by		Revision	
Low Voltage Dimmable Festoon Kit Dimensions And Details		Date		Sheet	
				B0 4 / 4	