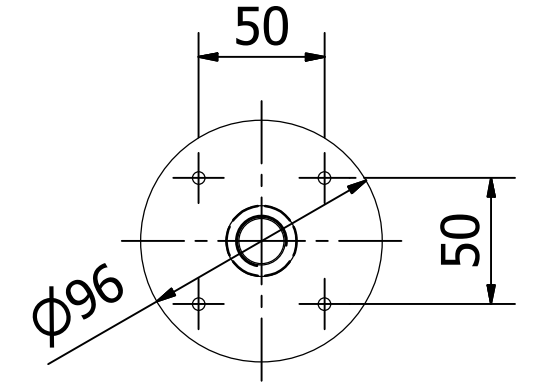
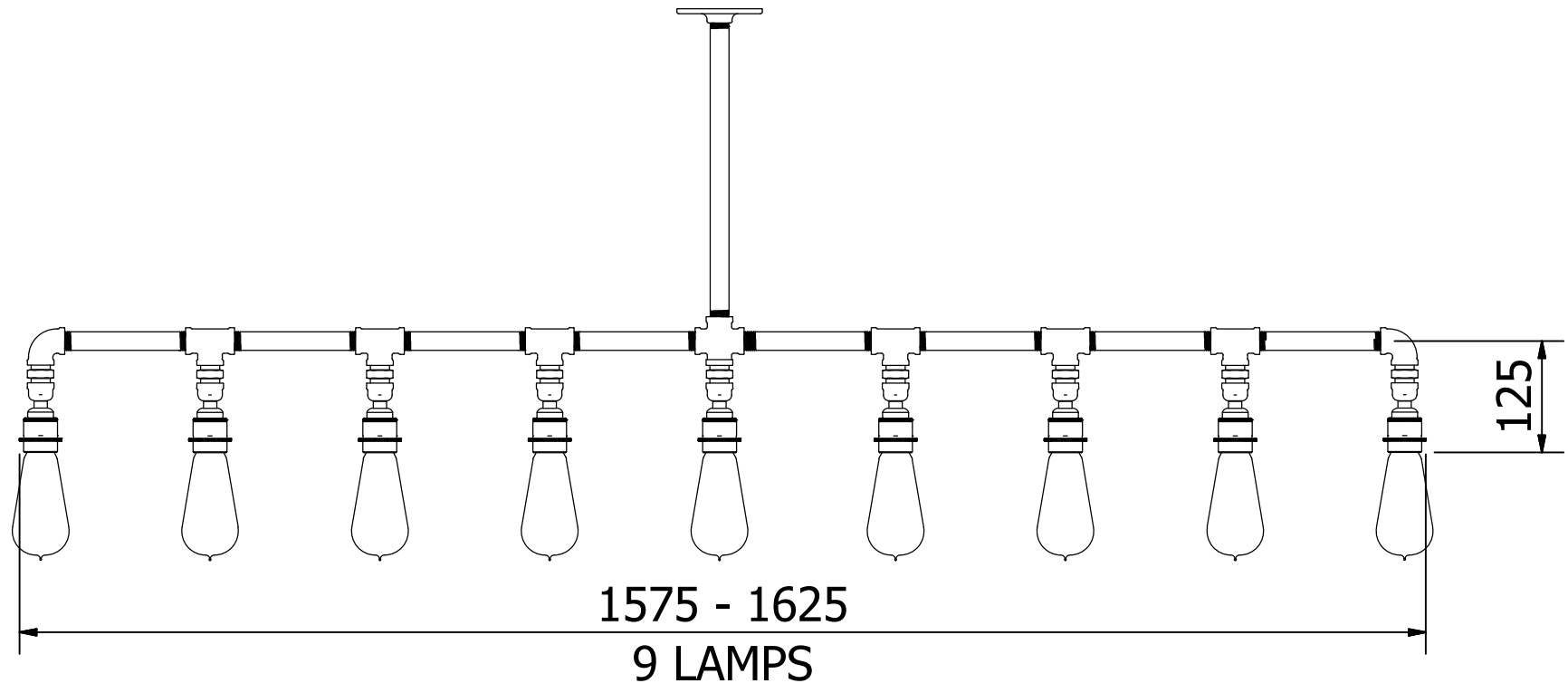
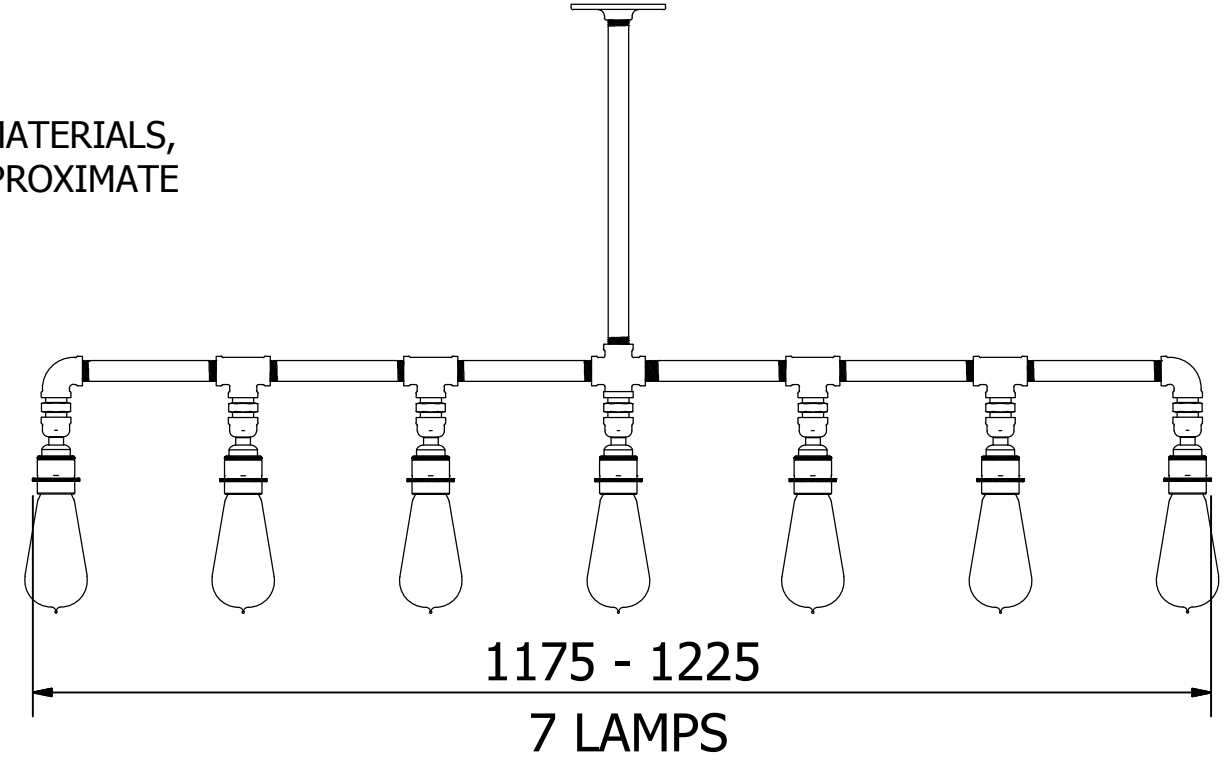
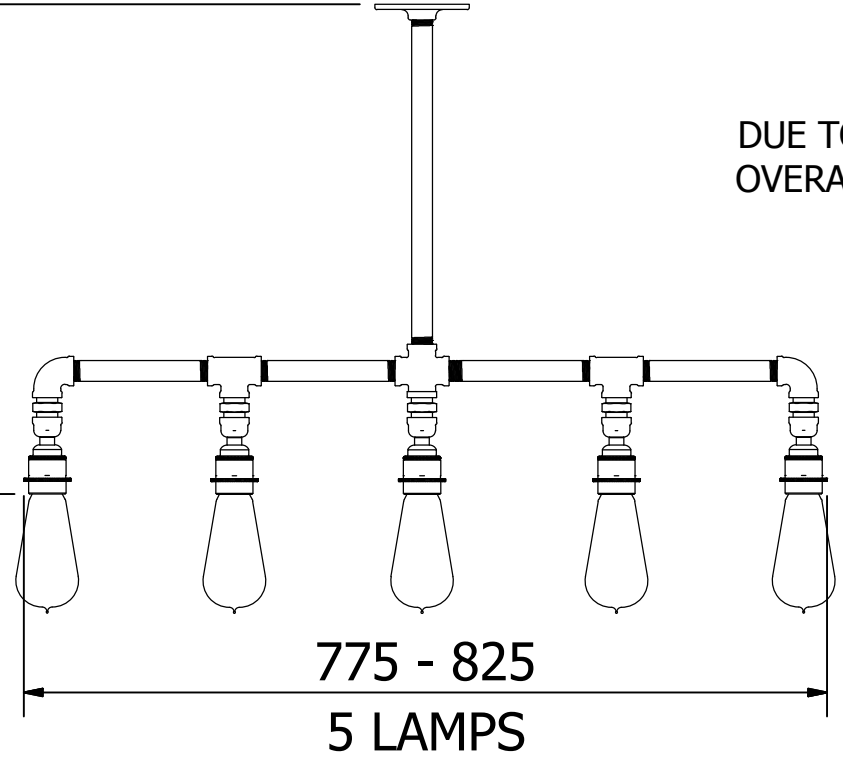


HEIGHT TO ORDER

DUE TO THE NATURE OF THE MATERIALS,
OVERALL DIMENSIONS ARE APPROXIMATE



CEILING PLATE MOUNTING DETAIL

Edison Light Globes globes, flex and fittings

REVISION HISTORY				
REV	DESCRIPTION	DATE	APPROVED	CR
A0	Initial Release		PG	

USE ONLY FOR JOB NO.		Material		Finish	
		SCALE: DNS		© Edison Light Globes Pty Ltd edisonlightglobes.com	
UNCONTROLLED DOCUMENT		Designed by DavidG	Checked by	Approved by PG	Date 22/06/2014
		Dimensions in millimetres Limit on untoleranced unmachined dimensions $\pm 0.2\text{mm}$ No decimal place 1mm 1 decimal place $\pm 0.3\text{mm}$ 2 decimal places $\pm 0.1\text{mm}$ General unmachined angular tolerance $\pm 1^\circ$ Tolerance to be non-cumulative		Plumbing Pipe Chandelier E27	
		PL007		Revision	Sheet 1 / 1