

Figure 1.

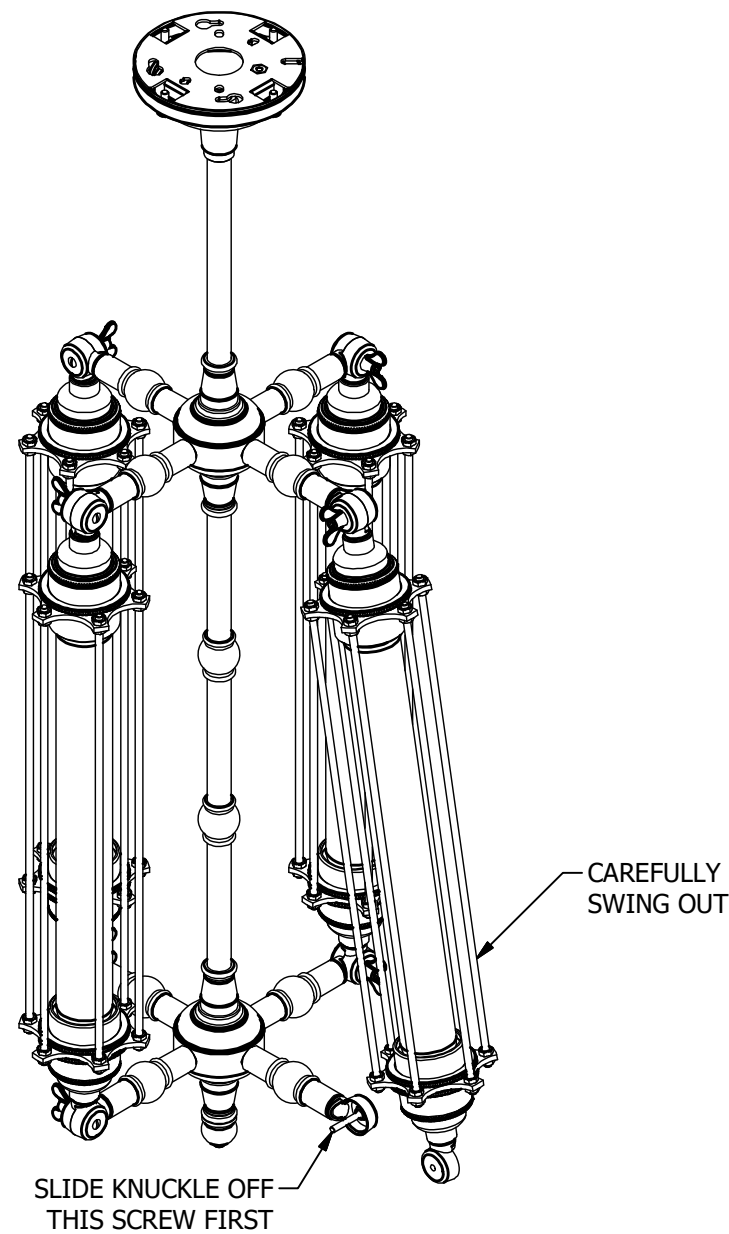


Figure 2.

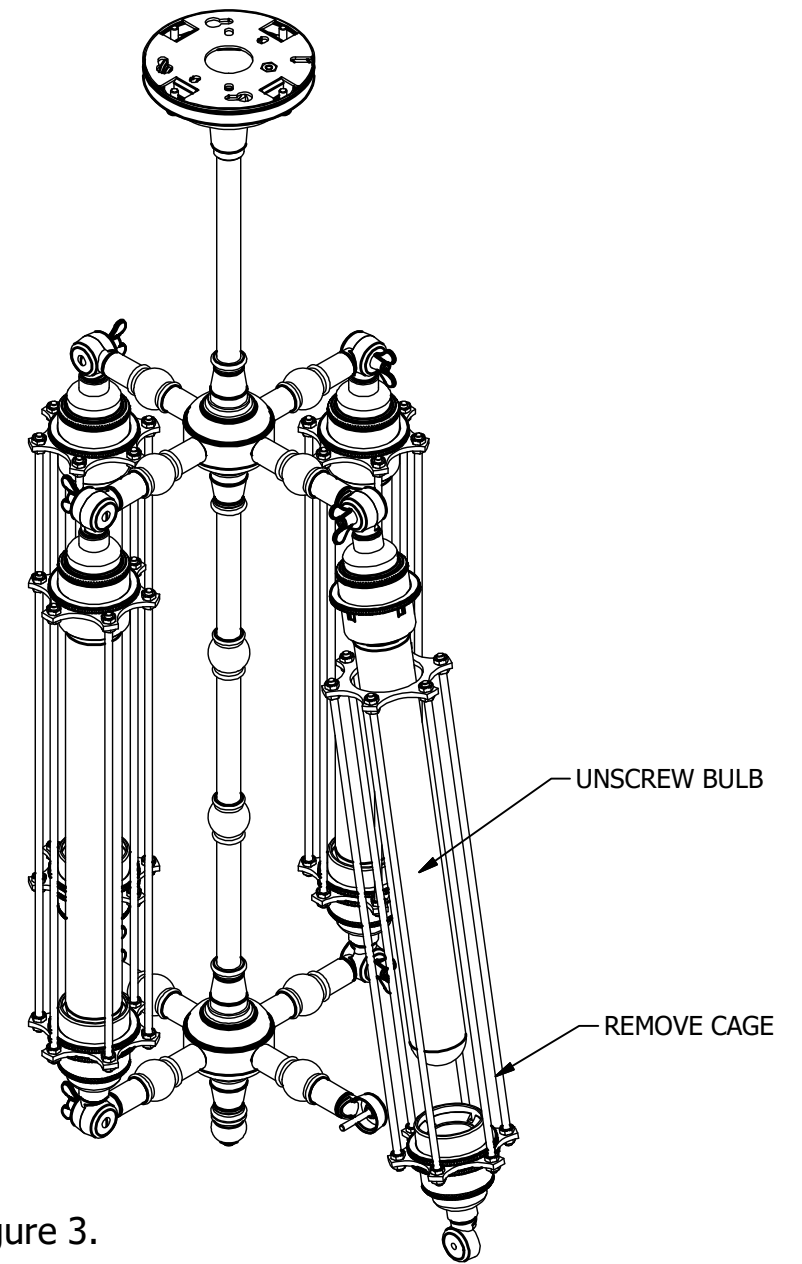


Figure 3.

BULB REPLACEMENT INSTRUCTIONS:

- 1) Ensure the light fitting is turned off, and isolated from the power source.
- 2) Remove lower wing nut from lamp assembly.
The upper wing nut is then only loosened.
- 3) Slide knuckle off wing nut screw then carefully swing out the cage / bulb assembly. (Figure 2.)
- 4) Slide cage assembly over and away from bulb. (Figure 3.)
- 5) Unscrew bulb.
- 6) Fit new bulb and reassemble light fitting.

SPECIFICATIONS:

EU, AU, NZ
E27 240V 60Watts max.
Tube Bulb Length: T30 x 290mm.

US, CA
E26 120V 60Watts max.
Tube Bulb Length: T30 1.2" x 11.4".

Edison Light Globes globes, flex and fittings

REVISION HISTORY

REV	DESCRIPTION	DATE	APPROVED	CR
A0	Initial Release		PG	

USE ONLY FOR JOB NO.		Material		Finish	
		SCALE: DNS		© Edison Light Globes Pty Ltd edisonlightglobes.com	
UNCONTROLLED DOCUMENT		Designed by davidgreenwood	Checked by	Approved by PG	Date 08-Dec-16
		<small>Dimensions in millimetres Limit on untoleranced unmachined dimensions ± 0.2mm No decimal place 1mm 1 decimal place ± 0.3mm 2 decimal places ± 0.1mm General unmachined angular tolerance ±1° Tolerance to be non-cumulative</small>		Four Cage tube bulb pendant 290mm Bulb Replacement ESL CL004-H	
				Revision A0	Sheet 1 / 1