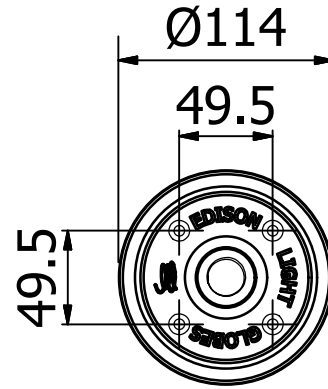
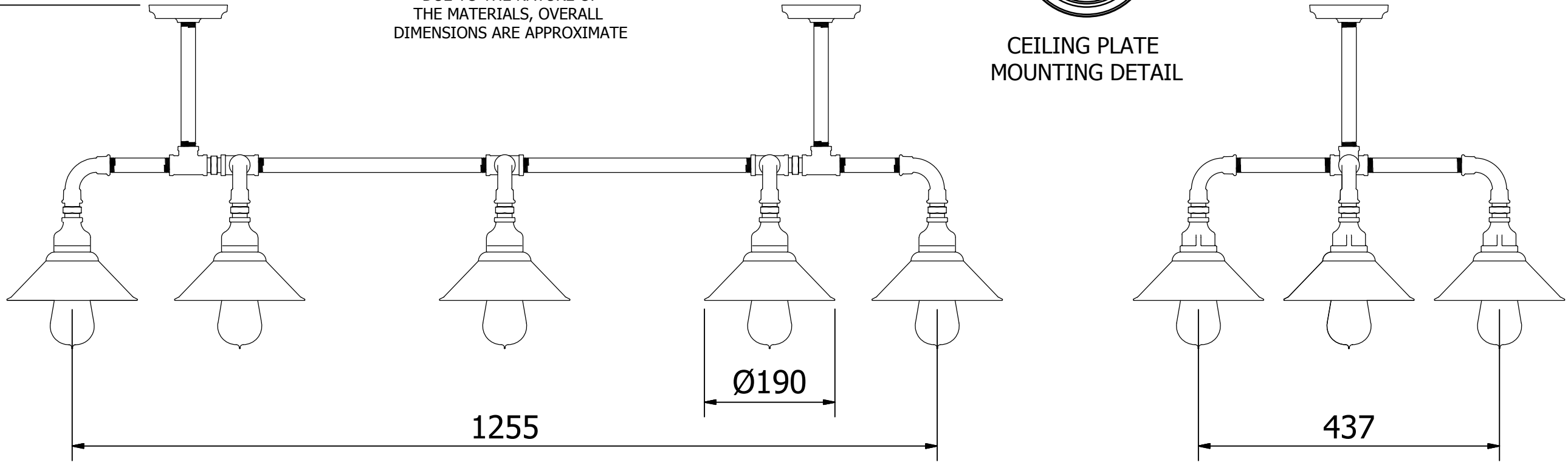


430
OR SPECIFY (330 Min)

DUE TO THE NATURE OF
THE MATERIALS, OVERALL
DIMENSIONS ARE APPROXIMATE



CEILING PLATE
MOUNTING DETAIL



Edison Light Globes globes, flex and fittings



REVISION HISTORY				
REV	DESCRIPTION	DATE	APPROVED	CR
A0	Initial Release		PG	

USE ONLY FOR JOB NO.		Material			Finish		
UNCONTROLLED DOCUMENT		SCALE: DNS		© Edison Light Globes Pty Ltd edisonlightglobes.com			
		Designed by DavidG	Checked by	Approved by PG	Date	Project	Date 15/03/2015
		<small>Dimensions in millimetres Limit on untoleranced unmachined dimensions ± 0.2mm No decimal place 1mm 1 decimal place ± 0.3mm 2 decimal places ± 0.1mm General unmachined angular tolerance ±1° Tolerance to be non-cumulative</small>			Plumbing Pipe Dining Table Light		
					Revision	Sheet 1 / 1	