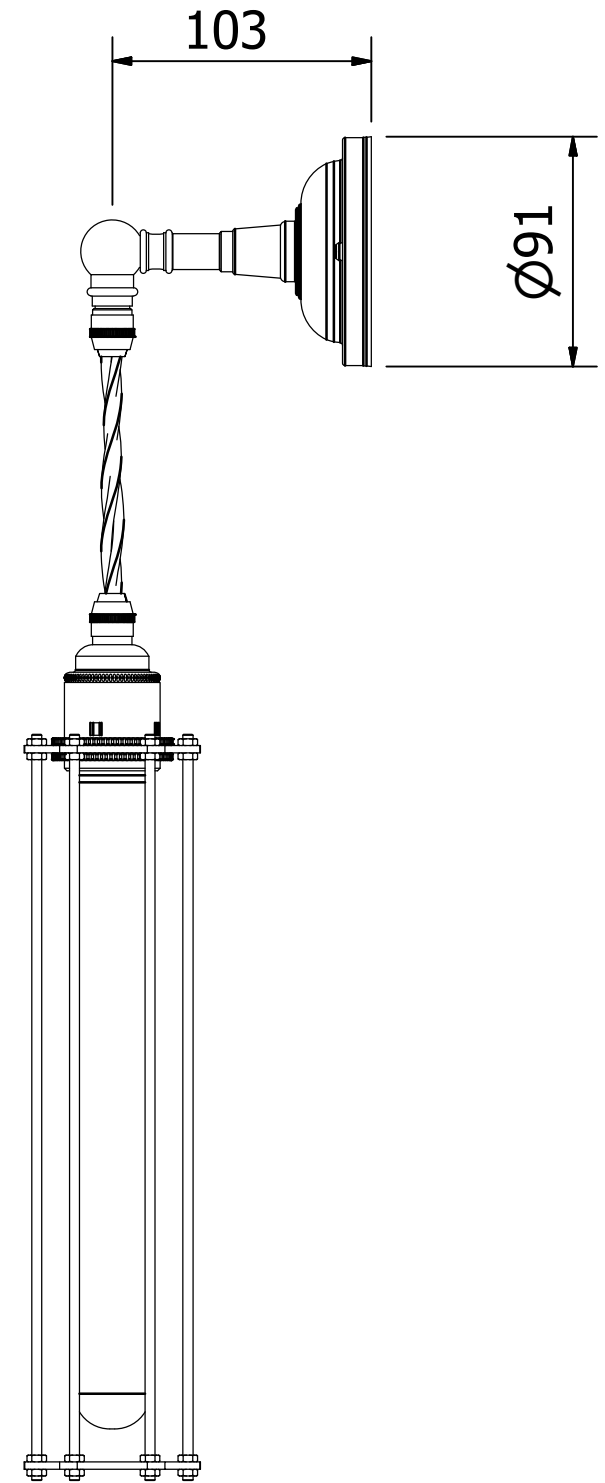
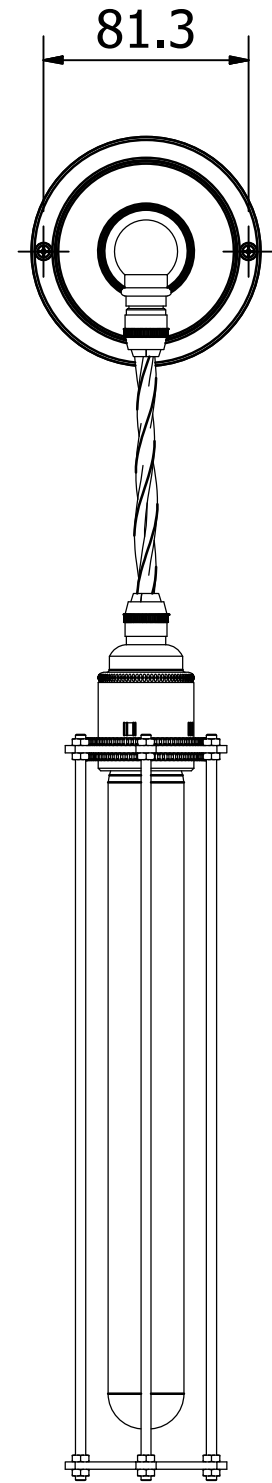
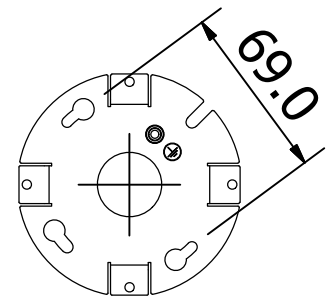
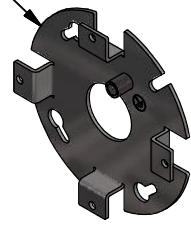


MOUNTING BRACKET FOR IMPROVED STABILITY



Edison Light Globes globes, flex and fittings

REVISION HISTORY				
REV	DESCRIPTION	DATE	APPROVED	CR
B0	Updated for 100mm protrusion	19/01/2016	PG	
A0	Initial Release	23/12/2015	PG	

USE ONLY FOR JOB NO.		Material		Finish	
		SCALE: DNS		© Edison Light Globes Pty Ltd edisonlightglobes.com	
UNCONTROLLED DOCUMENT		Designed by DavidG	Checked by	Approved by PG	Date 23/12/2015
		<small>Dimensions in millimetres Limit on untoleranced unmachined dimensions ± 0.2mm No decimal place 1mm 1 decimal place ± 0.3mm 2 decimal places ± 0.1mm General unmachined angular tolerance ±1° Tolerance to be non-cumulative</small>		Long Bulb Cage Pendant Wall Lamp Revision B0 Sheet 1 / 1	