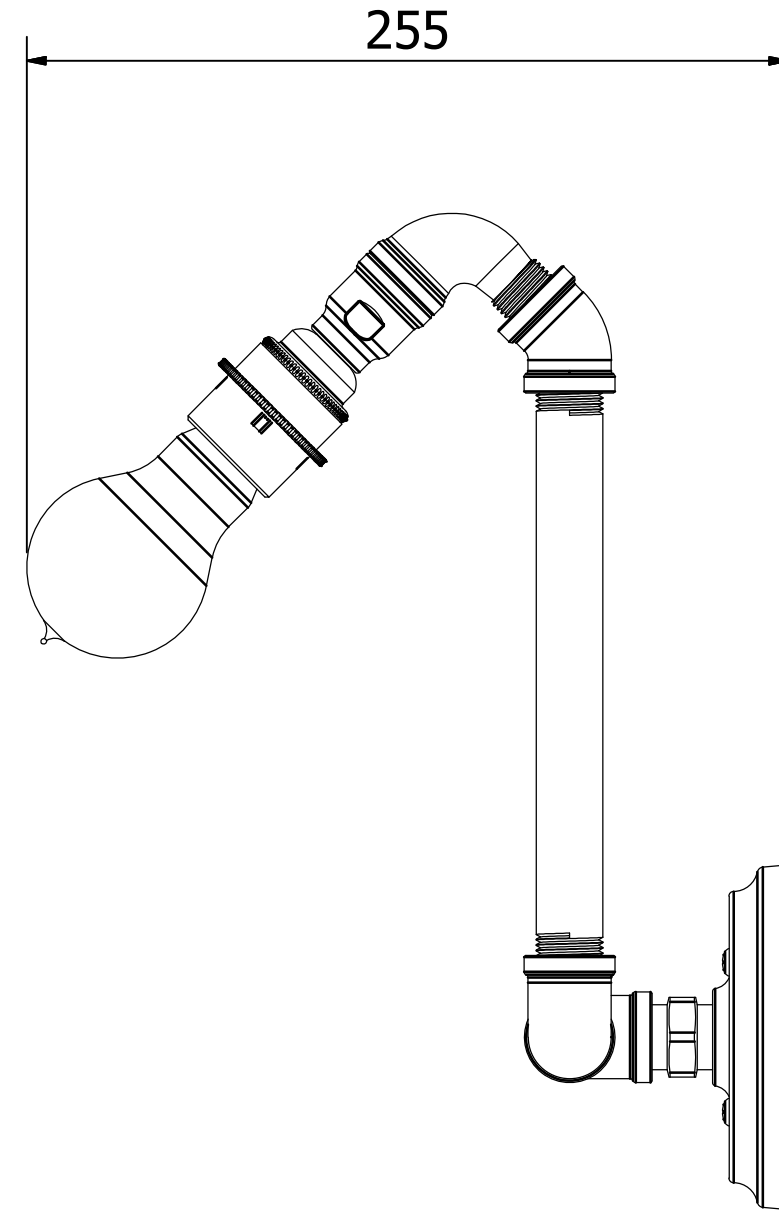
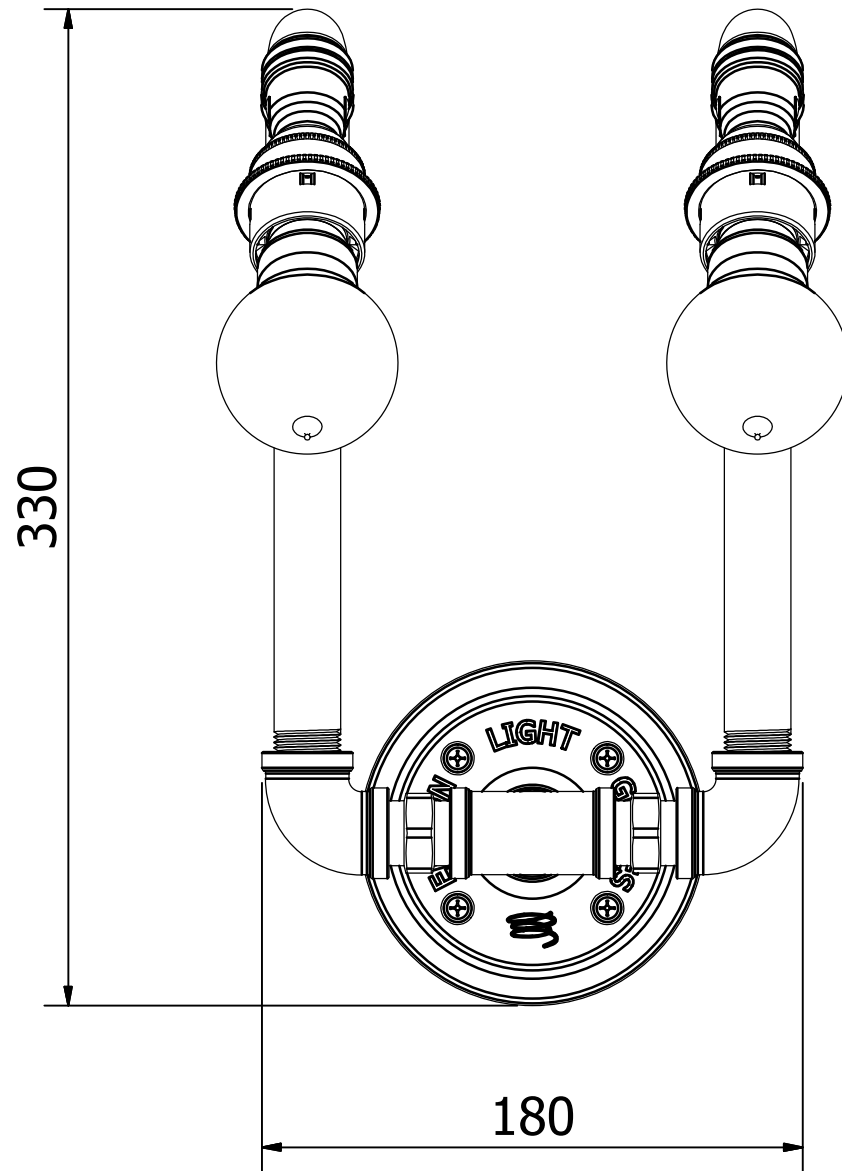


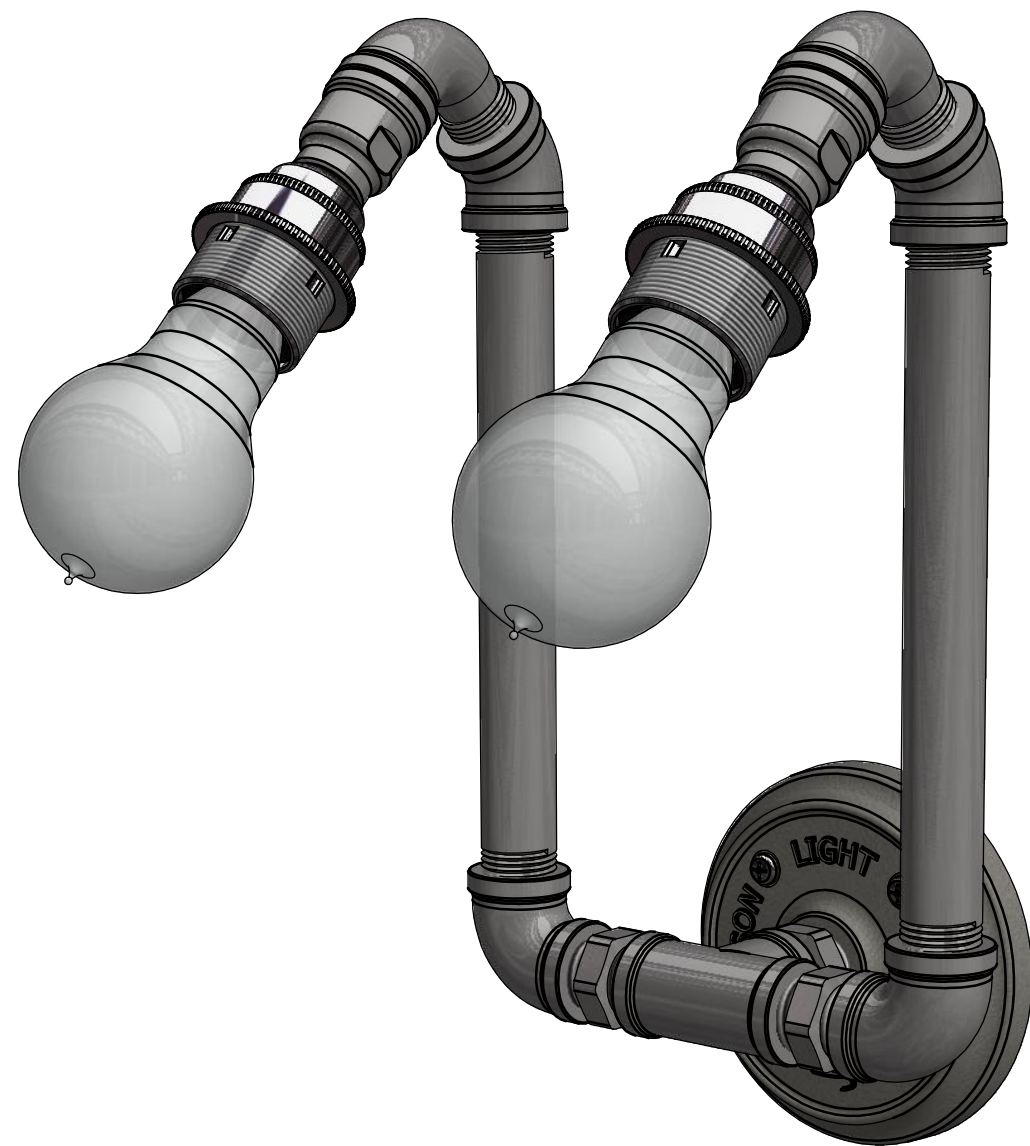
DUE TO THE NATURE OF THE MATERIALS,
OVERALL DIMENSIONS ARE APPROXIMATE



Edison Light Globes globes, flex and fittings

REVISION HISTORY				
REV	DESCRIPTION	DATE	APPROVED	CR
A0	Initial Release		PG	

USE ONLY FOR JOB NO.	Material	Finish		
	SCALE: DNS	© Edison Light Globes Pty Ltd edisonlightglobes.com		
UNCONTROLLED DOCUMENT	Designed by davidgreenwood	Checked by	Approved by PG	Date 28-Sep-17
	Dimensions in millimetres Limit on untoleranced unmachined dimensions ± 0.2mm No decimal place 1mm 1 decimal place ± 0.3mm 2 decimal places ± 0.1mm General unmachined angular tolerance ±1° Tolerance to be non-cumulative			Project
	Plumbing Pipe Wall Light 2 x Angle		Revision	Sheet 1 / 2
	PL049			



Edison Light Globes globes, flex and fittings

USE ONLY FOR JOB NO.	Material	Finish				
	SCALE: DNS				© Edison Light Globes Pty Ltd edisonlightglobes.com	
UNCONTROLLED DOCUMENT	Designed by davidgreenwood	Checked by	Approved by PG	Date	Project	Date 28-Sep-17
	Dimensions in millimetres Limit on untoleranced unmachined dimensions $\pm 0.2\text{mm}$ No decimal place 1mm 1 decimal place $\pm 0.3\text{mm}$ 2 decimal places $\pm 0.1\text{mm}$ General unmachined angular tolerance $\pm 1^\circ$ Tolerance to be non-cumulative			Plumbing Pipe Wall Light 2 x Angle		
				PL049	Revision	Sheet 2 / 2