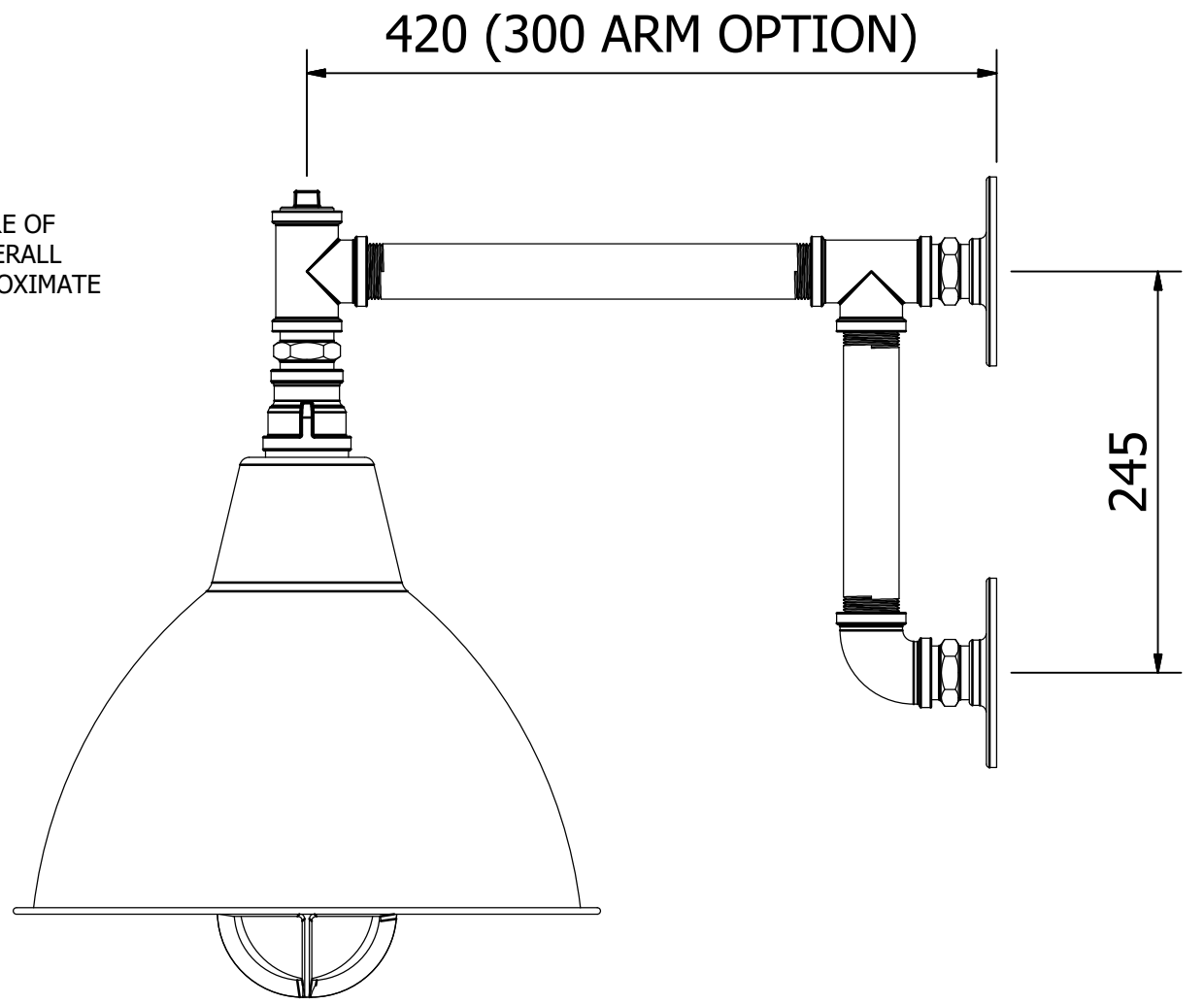


DUE TO THE NATURE OF THE MATERIALS, OVERALL DIMENSIONS ARE APPROXIMATE



REVISION HISTORY				
REV	DESCRIPTION	DATE	APPROVED	CR
A0	Initial Release		PG	

USE ONLY FOR JOB NO.	Material	Finish		
	SCALE: DNS	© Edison Light Globes Pty Ltd edisonlightglobes.com		
UNCONTROLLED DOCUMENT	Designed by davidgreenwood	Checked by	Approved by PG	Date 19-Mar-18
	Dimensions in millimetres Limit on untoleranced unmachined dimensions ± 0.2mm No decimal place 1mm 1 decimal place ± 0.3mm 2 decimal places ± 0.1mm General unmachined angular tolerance ±1° Tolerance to be non-cumulative			Project Pulmbing Pipe Outdoor Wall Light & Shade
			Revision	Sheet 1 / 1