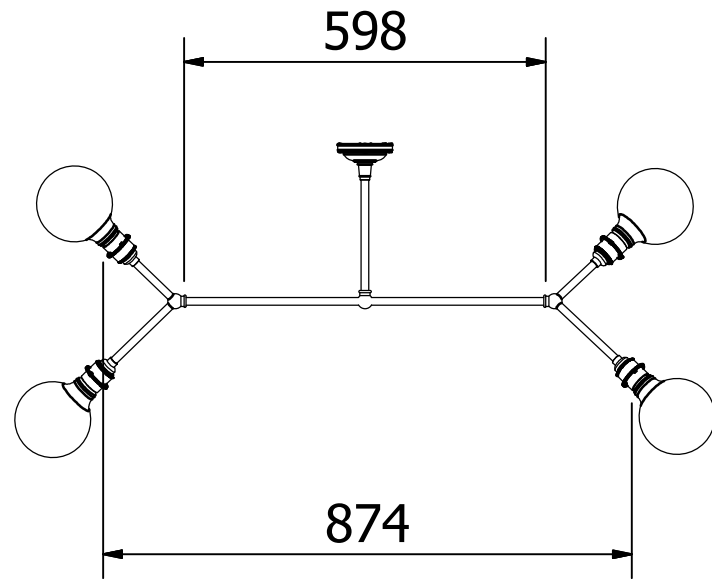
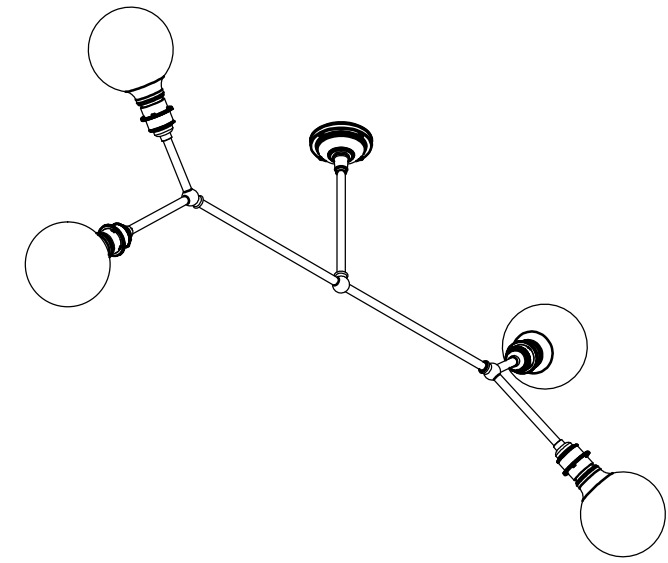
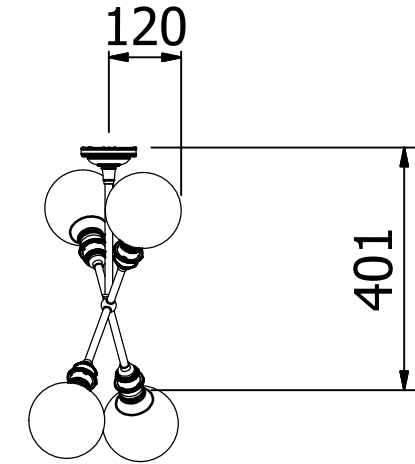


PLAN VIEW



SIDE VIEW



END VIEW

**Edison Light Globes** globes, flex and fittings



© Edison Light Globes Pty Ltd  
edisonlightglobes.com

REVISION HISTORY				
REV	DESCRIPTION	DATE	APPROVED	CR
A0	Initial Release		PG	

USE ONLY FOR JOB NO.	Material	Finish		
UNCONTROLLED DOCUMENT	SCALE: DNS	© Edison Light Globes Pty Ltd edisonlightglobes.com		
	Designed by davidgreenwood	Checked by	Approved by PG	Date 05-Feb-18
	Dimensions in millimetres Limit on untoleranced unmachined dimensions ± 0.2mm No decimal place 1mm 1 decimal place ± 0.3mm 2 decimal places ± 0.1mm General unmachined angular tolerance ±1° Tolerance to be non-cumulative		Angled Brass Bar Chandelier 4 Bulb	
		Revision	Sheet 1 / 1	