

NOTES:

1) M = Metric Threads:

- a) M10 x 1mm = Metric 10mm nominal with 1mm thread pitch.
- b) M20 x 1.5mm = Metric 20mm nominal with 1.5mm thread pitch.

2) BSB = British Standard Brass:

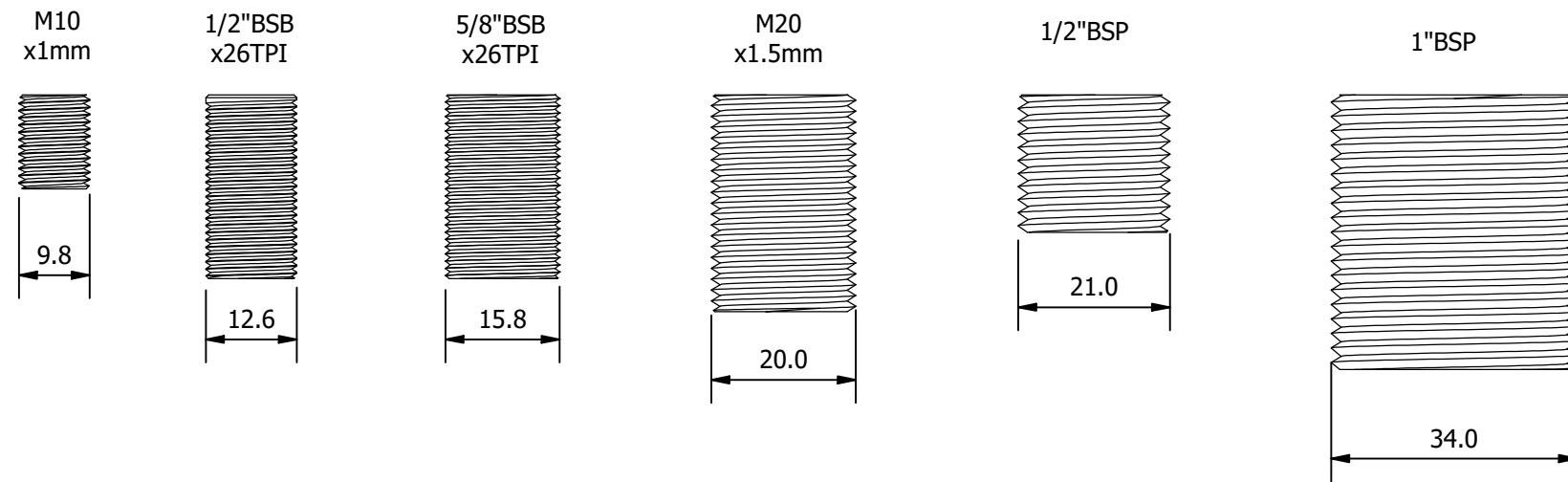
- a) 1/2" x 26TPI = 1/2" nominal with 26 Threads Per Inch pitch.
- b) 5/8" x 26TPI = 5/8" nominal with 26 Threads Per Inch pitch.

3) BSP = British Standard Pipe:

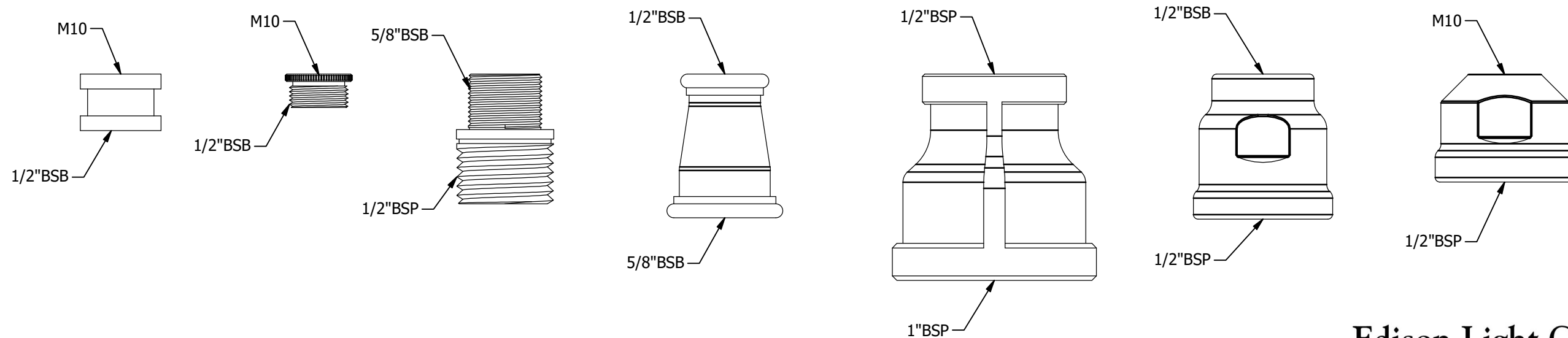
- a) 1/2" = 1/2" nominal pipe bore.
- b) 1" = 1" nominal pipe bore.

Threads of different specifications are not compatible with each other, even when they display the same value. For example, 1/2"BSB (brass threads) and 1/2"BSP (pipe threads) will not fit together. To allow connection with incompatible threads an adapter can be used.

THREAD NOMINAL DIAMETERS



ADAPTERS



REVISION HISTORY					USE ONLY FOR JOB NO.	Material	Finish							
REV	DESCRIPTION	DATE	APPROVED	CR		SCALE: DNS	© Edison Light Globes Pty Ltd edisonlightglobes.com							
					UNCONTROLLED DOCUMENT	Designed by DavidG	Checked by	Approved by PG	Date	Project	Date 5/04/2020	⊙ □		
						Dimensions in millimetres Limit on untoleranced unmachined dimensions ± 0.2mm No decimal place 1mm 1 decimal place ± 0.3mm 2 decimal places ± 0.1mm General unmachined angular tolerance ±1° Tolerance to be non-cumulative								
A0	Initial Release		PG									Threads	Revision	Sheet 1 / 1